

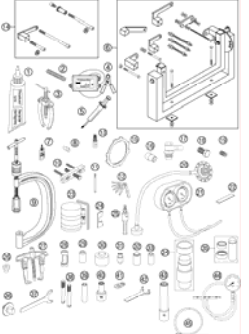
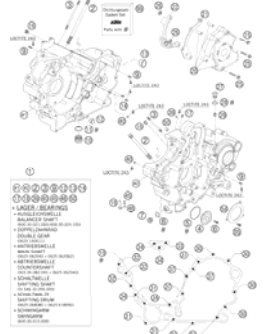
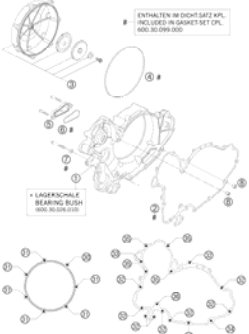
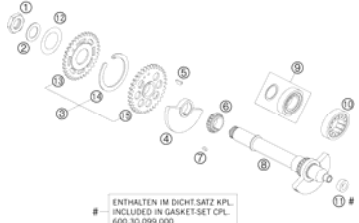
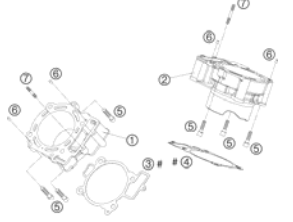
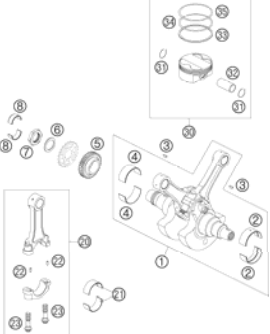

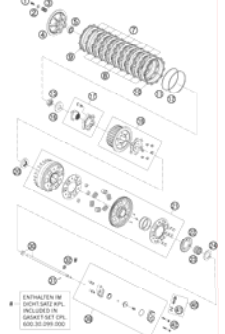



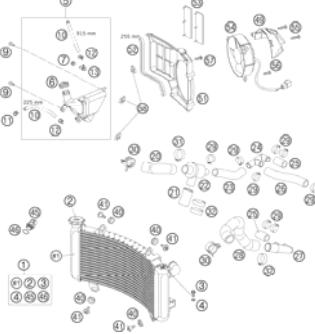
990 SUPERDUKE USA 2007

SPARE PARTS MANUAL: ENGINE

ART.NO.: 3CM089821GEN

ENGLISH



SPECIAL TOOLS  3	ENGINE CASE  5	CLUTCH COVER  7	BALANCER SHAFT  8
CYLINDER  9	CRANKSHAFT, PISTON  10	SECONDARY AIR SYSTEM  11	CLUTCH  12
TRANSMISSION I - MAIN SHAFT  13	TRANSMISSION II - COUNTERSHAFT  14	SHIFTING MECHANISM  15	COOLING SYSTEM  17

WATER PUMP

ENTHALTEN IM DICHTSATZ KPL. INCLUDED IN GASKET SET CPL. 600.30.099.000

ACHTUNG !!!
Mit dem Wellendichtung auch die Wasserpumpenwelle wechseln.
CAUTION !!!
With the shaft seal ring also change the water pump shaft.

19

VALVE DRIVE

EXHAUST INTAKE

Markierungsrille nur bei 990 Duke
Marking groove only by 990 Duke

Ventilfedern sind gelb-blau markiert
Valve springs have yellow and blue marking

ENTHALTEN IM DICHTUNGSSATZ KPL. INCLUDED IN GASKET-SET CPL. 600.30.099.000
ENTHALTEN IM DICHTSATZ ZYL.KOPF INCLUDED IN GASKET-SET CYL. HEAD 600.30.097.000

20

TIMING VALVE

ENTHALTEN IM DICHTUNGSSATZ KPL. INCLUDED IN GASKET SET CPL. 600.30.099.000
ENTHALTEN IM DICHTSATZ ZYL. KOPF INCLUDED IN GASKET SET CYL. HEAD 600.30.097.000

21

CYLINDER HEAD FRONT

DICHTUNGSSATZ KPL. 600.30.099.000
GASKET SET CPL. 600.30.099.000
INCL. GASKET SET CYL. HEAD 600.30.097.000

ZYLINDER VORNE
CYLINDER FRONT

22

CYLINDER HEAD REAR

DICHTUNGSSATZ KPL. 600.30.099.000
GASKET SET CPL. 600.30.099.000
INCL. GASKET SET CYL. HEAD 600.30.097.000

ZYLINDER HINTEN
CYLINDER REAR

23

LUBRICATING SYSTEM

ENTHALTEN IM DICHTSATZ KPL. INCLUDED IN GASKET SET CPL. 600.30.099.000

24

IGNITION SYSTEM

ENTHALTEN IM DICHTSATZ KPL. INCLUDED IN GASKET SET CPL. 600.30.099.000

BEARING EXHAUST GEAR
SHAFT SEAL RING

26

ELECTRIC STARTER

ENTHALTEN IM DICHTSATZ KPL. INCLUDED IN GASKET SET CPL. 600.30.099.000

27

THROTTLE BODY

28

All information contained is without obligation. KTM-Sportmotorcycle AG particularly reserves the right to modify any equipment, technical specifications, prices, colors, shapes, materials, services, service work, constructions, equipment and the like so as to adapt them to local conditions or to cancel any of the above items, all without previous announcement and without giving reasons. KTM may stop manufacturing certain models without previous notice. KTM shall not be held liable for any deviations of availability and/or ability to deliver, illustrations, descriptions, printing and/or other errors. The illustrated models partly contain extra equipment, which is not applied to standard models. © by KTM-SPORTMOTORCYCLE AG, Mattighofen AUSTRIA; All rights reserved; Reprint, also in extracts, with written allowance of KTM-SPORTMOTORCYCLE AG, Mattighofen only.

SPECIAL TOOLS

990 SUPERDUKE USA 2007

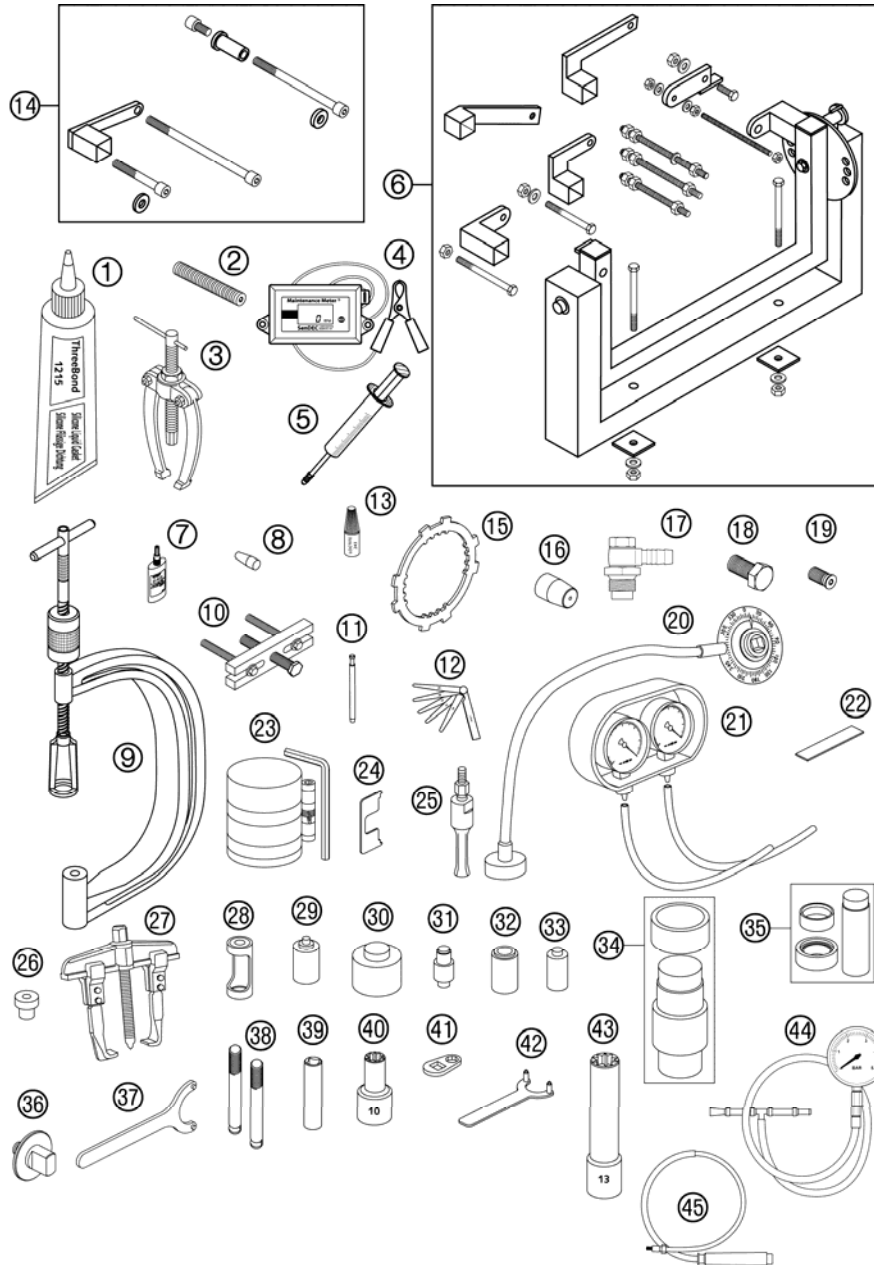


FIG	PART NUMBER	DESCRIPTION	QTY
1	309098	SILICON GASKET THREE-BOND	1
2	0113080802	ENGINE BLOCKING SCREW	1
3	15112017000	BUSHING EXTRACTOR	1
4*	45129075000	REVMETER	1
5	50329050000	VENT INJEKTION HYDR. CLUTCH	1
6	56012001000	UNIVERSAL MOUNTING RACK '96	1
7	58429059000	LOCTITE 648 GREEN 24ML	1
8	58529005000	MOUNT.SLEEVE F. SH.S.RING WAPU	1
9	59029019000	VALVE SPRING LEVER	1
10*	59029021044	EXTRACTOR PRIM. GEAR CPL.	1
11	59029026006	LIMIT PLUG GAUGE F.VALVE GUIDE	1
12	59029041000	FEEL. GAUGE SET 10,12,15,20,25	1
13	6899785	LOCTITE 243 BLUE 6CCM	x
14	60029002000	ENGINE BRACKET FOR LC8 03	x
15	60029003000	BRACKET FOR CLUTCH	1
16	60029005000	MOUNT.SLEEVE F. SH. SEAL RING	1
17*	60029006000	ADAPTOR F.OIL PRESSURE GAUGE	1
18	60029009000	FLYWHEEL EXTRACTOR	1
19*	60029009010	PUSH SCREW F. FLYWH. EXTRACTOR	1
19	60029009110	PUSH SCREW F. FLYWH. EXTRACTOR	1
20	60029010000	DEGREE DISK 360DEG - 1/2 INCH	1
21	60029011000	SYNCHRONIZER CPL. 2-CYLINDER	1
22	60029012000	PLASTIGAUGE - MEASURING STRIP	1
23	60029015000	PISTON RING COMPRESSOR CPL. 03	1
24*	60029016000	SETTING GAGE F. FLOAT LEVEL	1
25	60029018000	INTERN.BEAR.PULLER 28 MM	1
26	60029031000	PRESSURE PUNCH F. CRANKSHAFT	1
27	60029033000	EXTRACTOR PRIM. GEAR	1
28	60029041000	INSERT FOR VALVE SPRING LEVER	1
29	60029043010	SEAL.RING PRESS PUNCH PUSH ROD	1
30	60029043020	SEAL.RING PRESS PUNCH COUNT.SH	1
31	60029043030	PRESS PUNCH SEAL.RING/BEARING	1
32	60029043040	SEAL.RING PRESS PUNCH WAT.PUMP	1
33	60029043050	SEAL.RING PRESS PUNCH BA.SHAFT	1
33	60029043060	PRESS PUNCH WAPU-BEARING	1
34	60029044050	PRESS TOOL FOR MAIN BEARING	1

076002900 / C076002900

* NEW PART

X AS REQUIRED

SPECIAL TOOLS

990 SUPERDUKE USA 2007

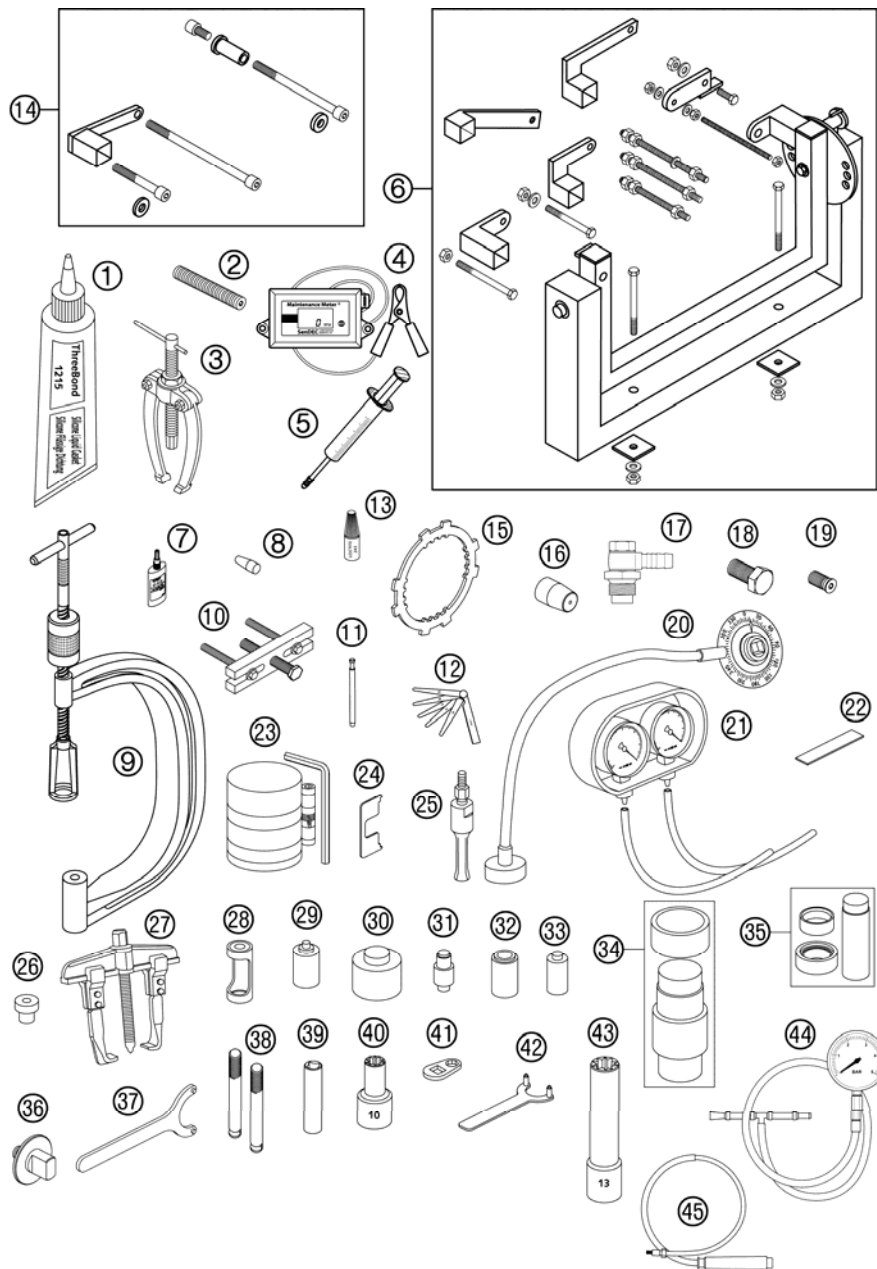


FIG	PART NUMBER	DESCRIPTION	QTY
35	60029046028	PRESS TOOL F. SUPPORT BEARING	1
36	60029050000	BOTTOM PART PRETENSIONING TOOL	1
37	60029051000	HOOK WRENCH PRETENS.TOOL CPL.	1
38*	60029058000	SCISSOR GEAR PULLER	1
39	60029073000	SPARK PLUG WRENCH 16MM 1/2INCH	1
40	60029075000	SPECIAL SOCKET F.CYL.-HEAD NUT	1
41	60029081000	WRENCH FOR CYLINDER-HEAD SCREW	1
42	60029082000	HOLDER FOR WATER PUMP WHEEL	1
43	60029083000	SPECIAL SOCKET F. CYLINDER NUT	1
44*	61029094000	EFI PRESSURE TESTER	1
45*	62529093000	IGNITIONWIRE ADAPTOR	1

076002900 / C076002900

* NEW PART

X AS REQUIRED

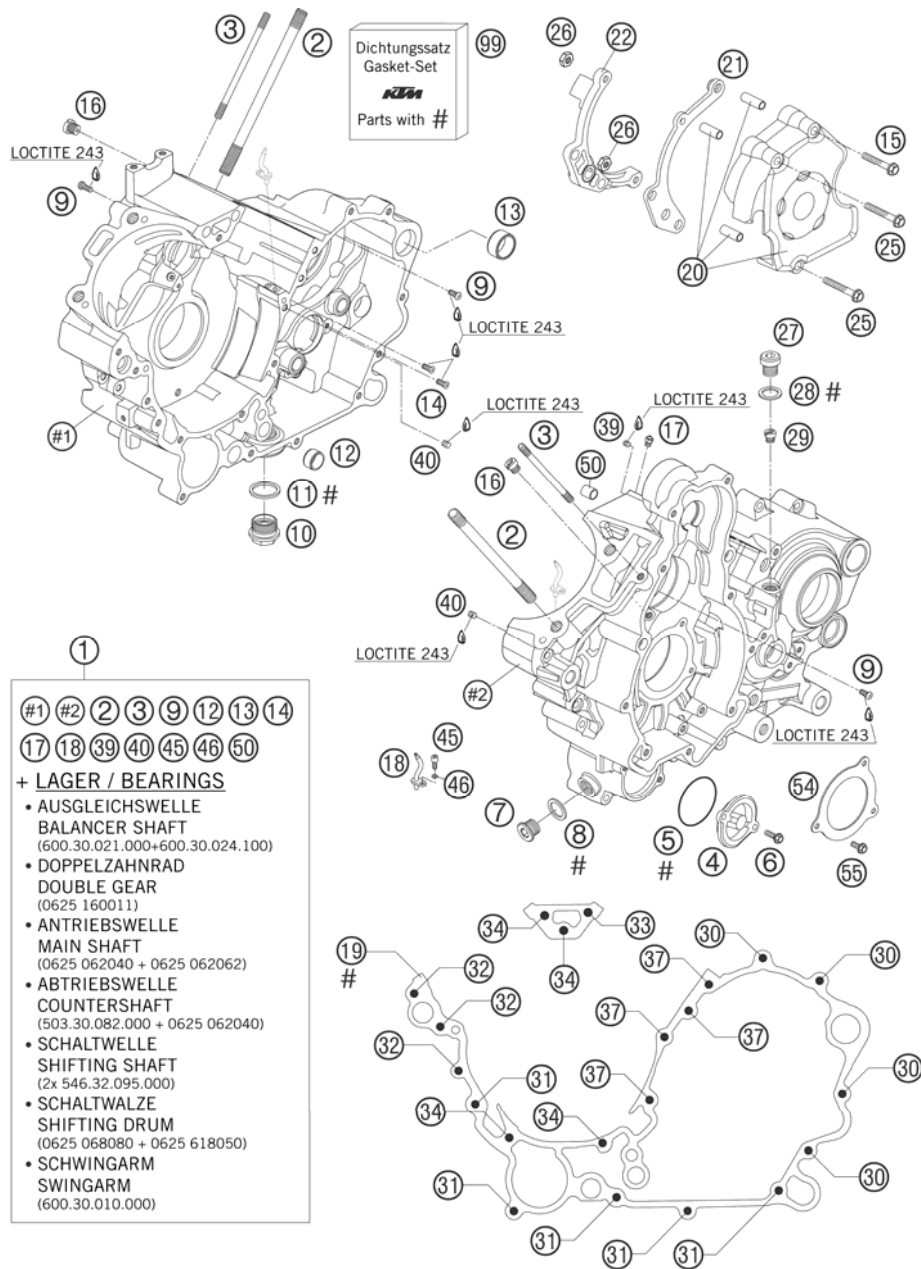


FIG	PART NUMBER	DESCRIPTION	QTY
1	6003000144	ENGINE CASE CPL. W.BEARINGS 05	1
2	60030043100	STUD M10X161 06	8
3	60030043010	STUD M 6X101 10.9 03	2
4	59038041000	OIL FILTER COVER RACING	1
5	0770400025	O-RING 40,00X2,50 NBR 70	1
6	0015050163	HH COLLAR SCREW M 5X16 WS=8	2
7	60038033050	PLUG SCREW M14X1,5 ALU AH	1
8	0603142016	CU-SEAL RING 14X20X1,5 LC8 02	1
9	0018050103	INT. TORX OVAL HEAD M 5X10 8.8	3
10	58038019050	DRAIN PLUG W. MAGNET	1
11	58038017100	CU-SEAL RING DIN7603-22X27X2	1
12	58330023000	DOWEL 17 X 14 X 9,5	1
13	60030023000	DOWEL 20,1X24X12 03	1
14	0019050103	INT. TORX FLAT HEAD M 5X10 8.8	2
15	0015060303	HH COLLAR SCREW M 6X30 WS=8	1
16	59030054000	JET 60 DELLORTO M6X0,75	2
17	60030063070	OIL JET 70 M5	2
18	60030064000	OIL INJECT.TUBE CURVED "70" 05	2
19	60030039100	ENGINE CASE GASKET 0,5MM 05	1
20	60030060044	CHAIN SPROCKET COVER CPL. 03	1
21	61030047000	CHAIN SECURING GUIDE KPL. 05	1
22	60032063000	ADAPTER F. HYDR. CLUTCH 03	1
25	0015060353	HH COLLAR SCREW M 6X35 WS=8	2
26	0985060003	SELF LOCK. NUT DIN0985-M 6	2
27	49030029000	OIL DRAIN PLUG M10X1,5 AH-WS=6	1
28	0603100141	COPPER GASKET DIN7603-10X14X1	1
29	60038029000	REDUCING JET "30" M6X0,75	1
30	0015060403	HH COLLAR SCREW M 6X40 WS=8	4
31	0015060603	HH COLLAR SCREW M 6X60 WS=8	5
32	0015060653	HH COLLAR SCREW M 6X65 WS=8	3
33	0015060703	HH COLLAR SCREW M 6X70 WS=8	1
34	0015060753	HH COLLAR SCREW M 6X75 WS=8	4
37	0015060903	HH COLLAR SCREW M 6X90 WS=8	4
39	0916050042	THREAD PIN DIN916 M5X4-45H	2
40	0551060050	THREAD PIN DIN0551-M 6X 5	2
45	0912040103	AH.SCREW DIN0912-M 4X10	2

056253000 / C056253000

* NEW PART

X AS REQUIRED

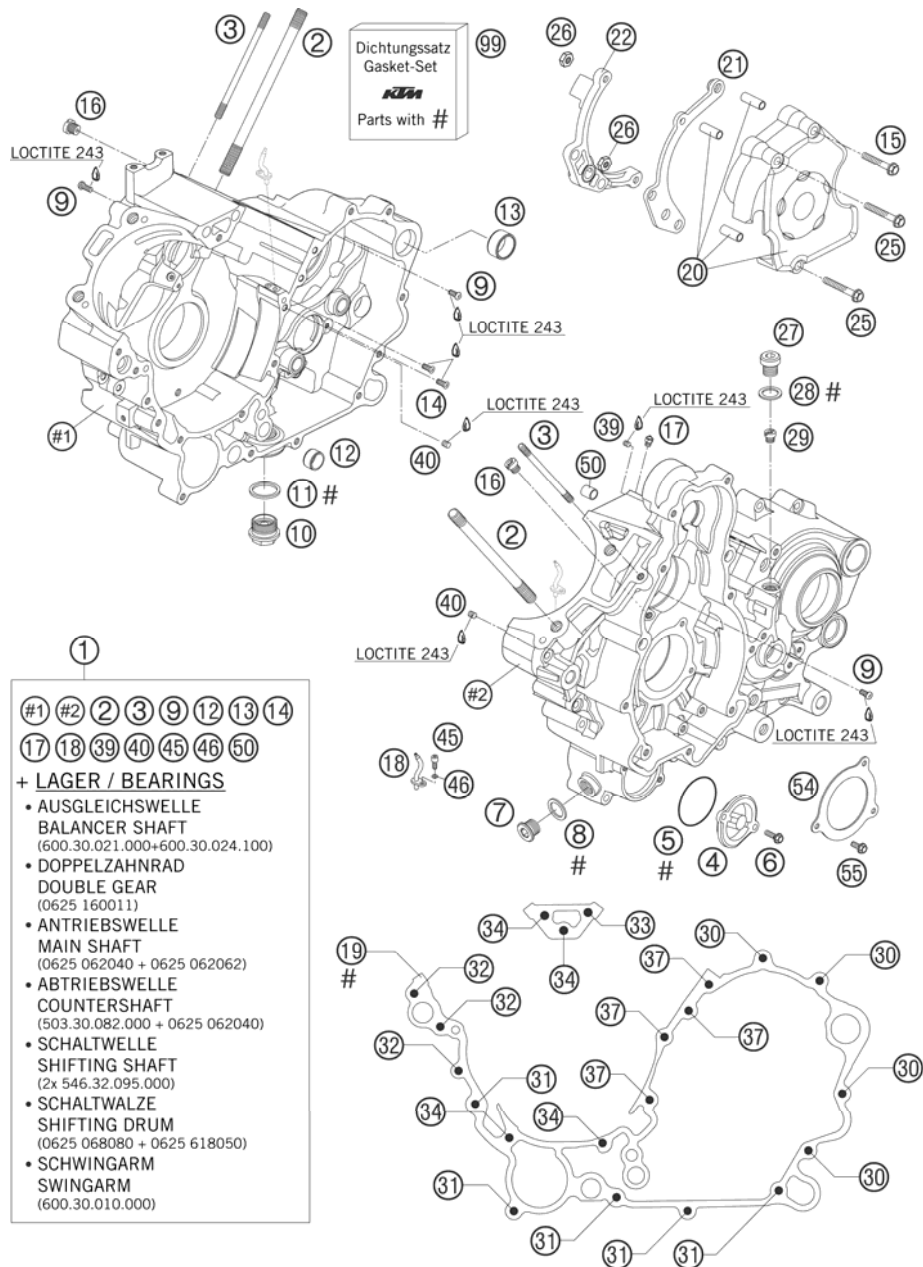


FIG	PART NUMBER	DESCRIPTION	QTY
46	0770035020	O-RING 3,5X2,00 NBR	2
50	49030090000	DOWEL 9,8 X 7 X 10	2
54	60030084000	BRACKET FOR BEARING INSERT 05	2
55	0015050123	HH COLLAR SCREW M 5X12 WS=8	6
99	60030099000	GASKET SET CPL. 03	1

056253000 / C056253000

* NEW PART

X AS REQUIRED

CLUTCH COVER

990 SUPERDUKE USA 2007

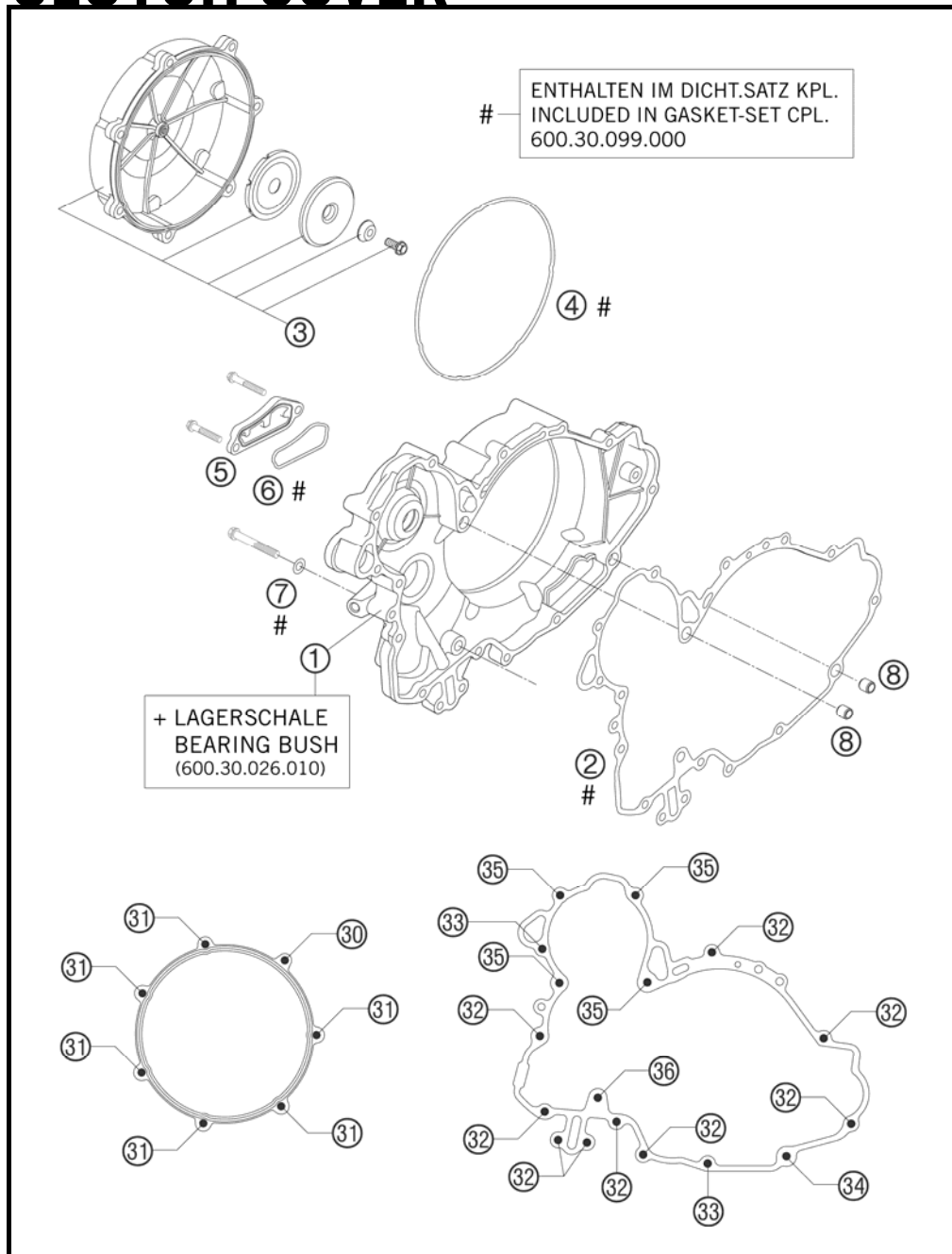


FIG	PART NUMBER	DESCRIPTION	QTY
1	60030001044	CLUTCH COVER LC8 CPL. 03	1
2	60030025000	CLUT.COV. GASK. INSIDE KLI.SIL	1
3	60030126144	OUTER CLUTCH COVER CPL. 06	1
4	60030027000	GASKET RING CLUTCH 2X3,1 VAMAC	1
5	60030012100	CLOS. COVER OIL SCR. MILLED 03	1
6	60030012050	MOLDED RING 1,8X2,5 VAMAC 03	1
7	0603082131	COPPER GASK.DIN7603- 8,2X13X1	1
8	49030090000	DOWEL 9,8 X 7 X 10	2
30	0015060853	HH COLLAR SCREW M 6X85 WS=8	1
31	0015060253	HH COLLAR SCREW M 6X25 WS=8	6
32	0015060303	HH COLLAR SCREW M 6X30 WS=8	9
33	0015060353	HH COLLAR SCREW M 6X35 WS=8	2
34	0015060403	HH COLLAR SCREW M 6X40 WS=8	1
35	0015060603	HH COLLAR SCREW M 6X60 WS=8	4
36	0015080603	HH COLLAR SCREW M 8X60 WS=10	1

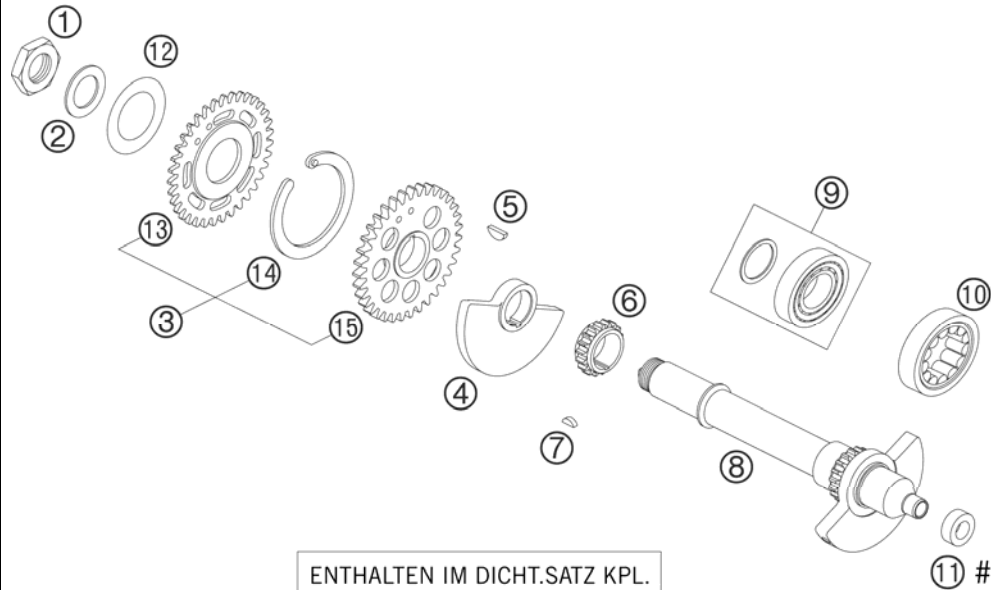
05600304 / C056253001

* NEW PART

X AS REQUIRED

BALANCER SHAFT

990 SUPERDUKE USA 2007



ENTHALTEN IM DICHT.SATZ KPL.
INCLUDED IN GASKET-SET CPL.
600.30.099.000

FIG	PART NUMBER	DESCRIPTION	QTY
1	60036073150	HEXAGON NUT M20X1,5 H=6MM 05	1
2	60033043000	STOP DISK 20,2 X 34 X 1	1
3	60036081000	SPREAD TRANSMISSION 05	1
4	61036074050	BALANCER WEIGHT R/S 05	1
5	0888040050	WOODRUFF KEY DIN6888 4X5X13	1
6	60036014018	TIMING GEAR 18-T 03	1
7	0888030037	WOODRUFF KEY DIN6888-3X3,7	1
8	61036073000	TIMING VALVE JACKSHAFT CPL.	1
9	60030024100	CYL. ROLLER BEAR. NUP 204E	1
10	60030021000	CYL.ROLLER BEARING 26,5X47X14	1
11	0760122050	SHAFT SEAL RING 12X20X5 B	1
12	0093463006	SPRING WASH. 30,5X46,5X0,6-1,5	1
13	60036083035	CLAMPING WHEEL 35-Z 05	1
14	60036081050	TENSION SPRING 05	1
15	60036082035	DRIVE WHEEL 35-T 05	1

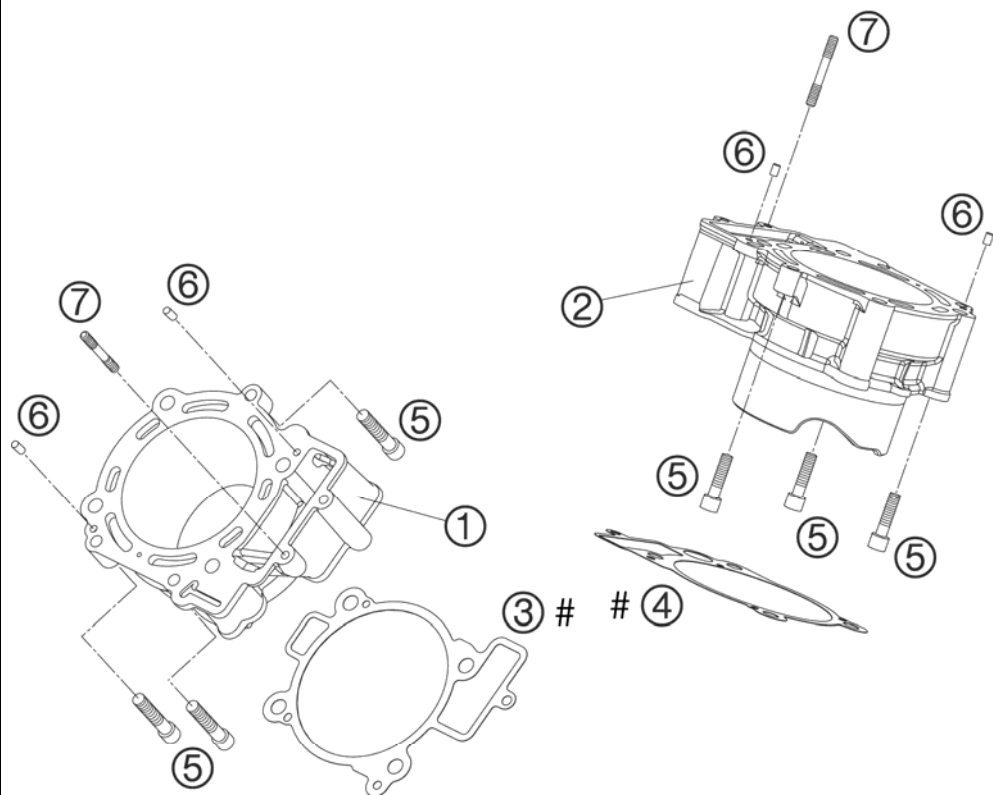
056253003 / C066103002

* NEW PART

X AS REQUIRED

CYLINDER

990 SUPERDUKE USA 2007



— ENTHALTEN IM DICHTUNGSSATZ KPL.
 INCLUDED IN GASKET-SET CPL.
 600.30.099.000
 ENTHALTEN IM DICHT.SATZ ZYL.KOPF
 INCLUDED IN GASKET-SET CYL. HEAD
 600.30.097.000

FIG	PART NUMBER	DESCRIPTION	QTY
1	61030005000	CYLINDER 05	1
2	61030105000	CYLINDER 05	1
3	60030035000	CYLINDER-BASE GASKET FR 0,35MM	1
4	60030135000	CYLINDER-BASE GASKET RR 0,35MM	1
5	0912080353	AH SCREW DIN0912-M 8X35	6
6	0474050100	GROOVED PIN DIN1474 5X10	4
7	60030043020	STUD M6X47 03	2

05600303 / C066103003

* NEW PART

X AS REQUIRED

CRANKSHAFT, PISTON

990 SUPERDUKE USA 2007

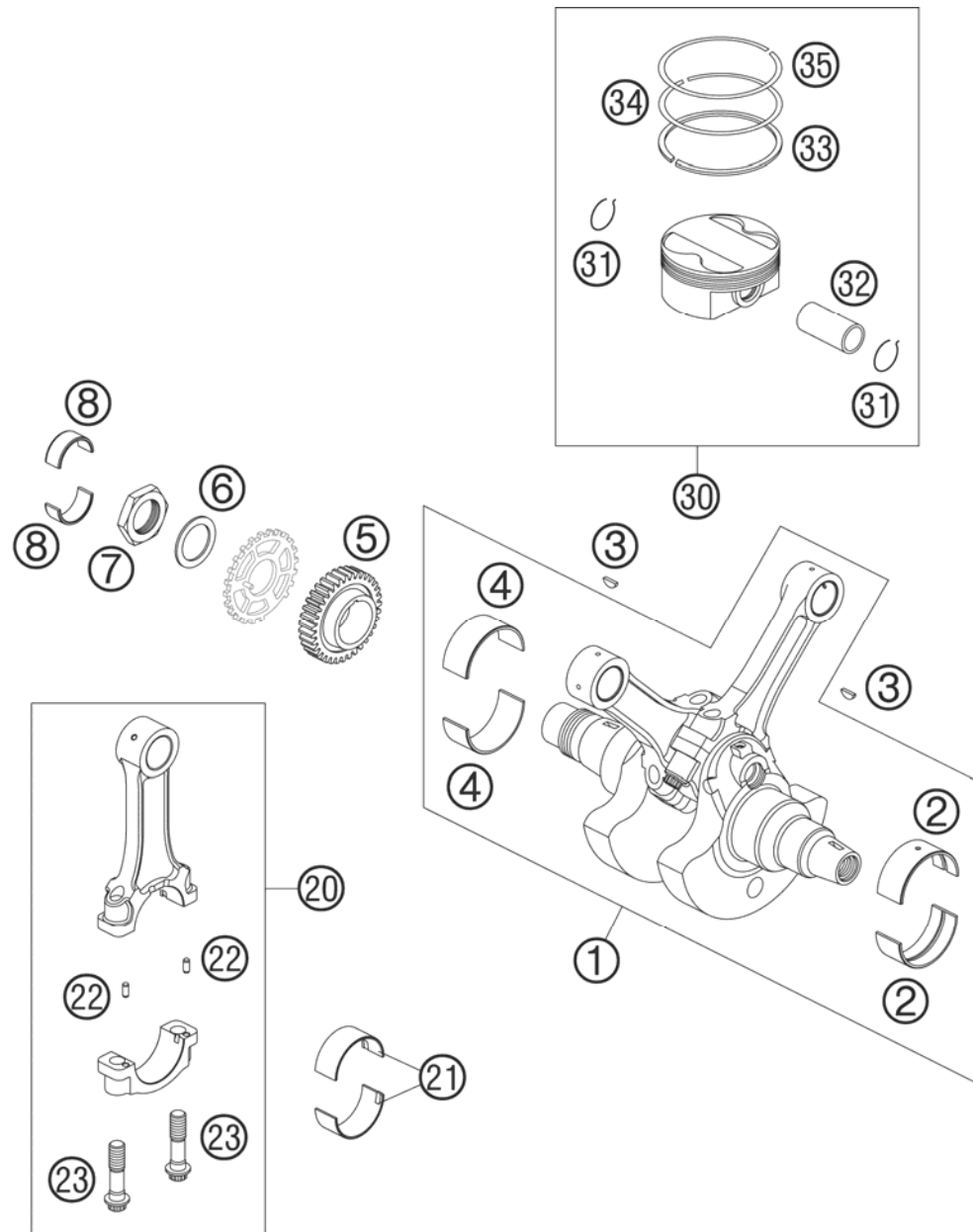


FIG	PART NUMBER	DESCRIPTION	QTY
1	61030018100	CRANKSHAFT KPL.	1
2	60030082000 1	SPLIT BEAR.BUSH SIZE 1 RED 03	x
2	60030082000 2	SPLIT BEAR.BUSH SIZE 2 BLUE 03	x
2	60030082000 3	SPLIT BEAR.BUSH SIZE 3 YELL.03	x
3	0888040050	WOODRUFF KEY DIN6888 4X5X13	2
4	60030182000 1	SPLIT BEAR.BUSH SIZE 1 RED 03	x
4	60030182000 2	SPLIT BEAR.BUSH SIZE 2 BLUE 03	x
4	60030182000 3	SPLIT BEAR.BUSH SIZE 3 YELL.03	x
5	60032023035	PRIMARY PINION 35 T 03	1
6	60032009040	WASHER 33,2X46X2 03	1
7	60032009050	HH-NUT M33X1,5 L/S WS46 03	1
8	60030026010	BUSHING BOWL 28X32X13 03	2
20	60030013244	CONNECTING ROD CPL. 06	2
21	60030013051	BUSH.BOWL PACK. SIZE 1 RED 03	x
21	60030013052	BUSH.BOWL PACK. SIZE 2 BLUE 03	x
21	60030013053	BUSH.BOWL PACK. SIZE 3 YELL.03	x
22	60030015061	CYLINDER PIN 03	4
23	60030015260	CONNECTING-ROD BOLT MJ10X1 06	4
30	61030007000 I	PISTON D=101 05	x
30	61030007000 II	PISTON D=101 05	x
31*	58430074000	CIRCLIP 22 X 1,6	4
32	75030033000	PISTON PIN EB 22/72 d22x56	2
33	61030032000	OIL SCRAPER RING D=101MM	2
34	58330932100	TAP.COMPR.PISTON RING 101X1,25	2
35	61030030000	PISTON RING "L" D=101 H=1,25	2

05600301 / C076103002

* NEW PART

X AS REQUIRED

SECONDARY AIR SYSTEM

990 SUPERDUKE USA 2007

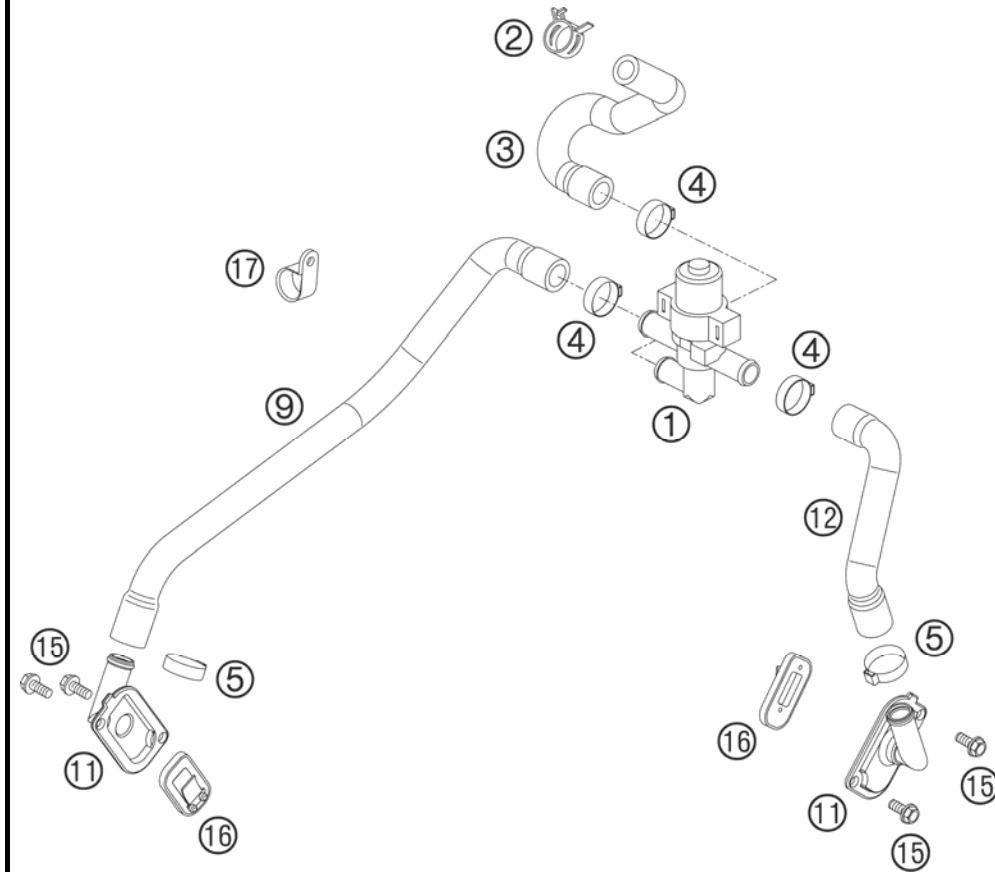


FIG	PART NUMBER	DESCRIPTION	QTY
1	61005026000	CONTROL VALVE SAS	05
2	00049190121	CLAMP STD DN19	1
3	61005035023	SAS HOSE AIRBOX	05
4	00050226706	VARIABLE ONE-EAR CLAMP 22,6MM	3
5	00050210706	VARIABLE ONE-EAR CLAMP 21,0MM	2
9	61005035021	SAS HOSE CYLINDER FRONT	05
11	60005022000	SAS FLANGE	03
12	61005035022	SAS HOSE CYLINDER REAR	05
15	0015060123	HH COLLAR SCREW M 6X12 WS=8	4
16	60005026000	SLS-VALVE	03
17	57013070400	PVC CLAMP 17,4MM HEYCO 3381	1

05610310 / C066103100

* NEW PART

X AS REQUIRED

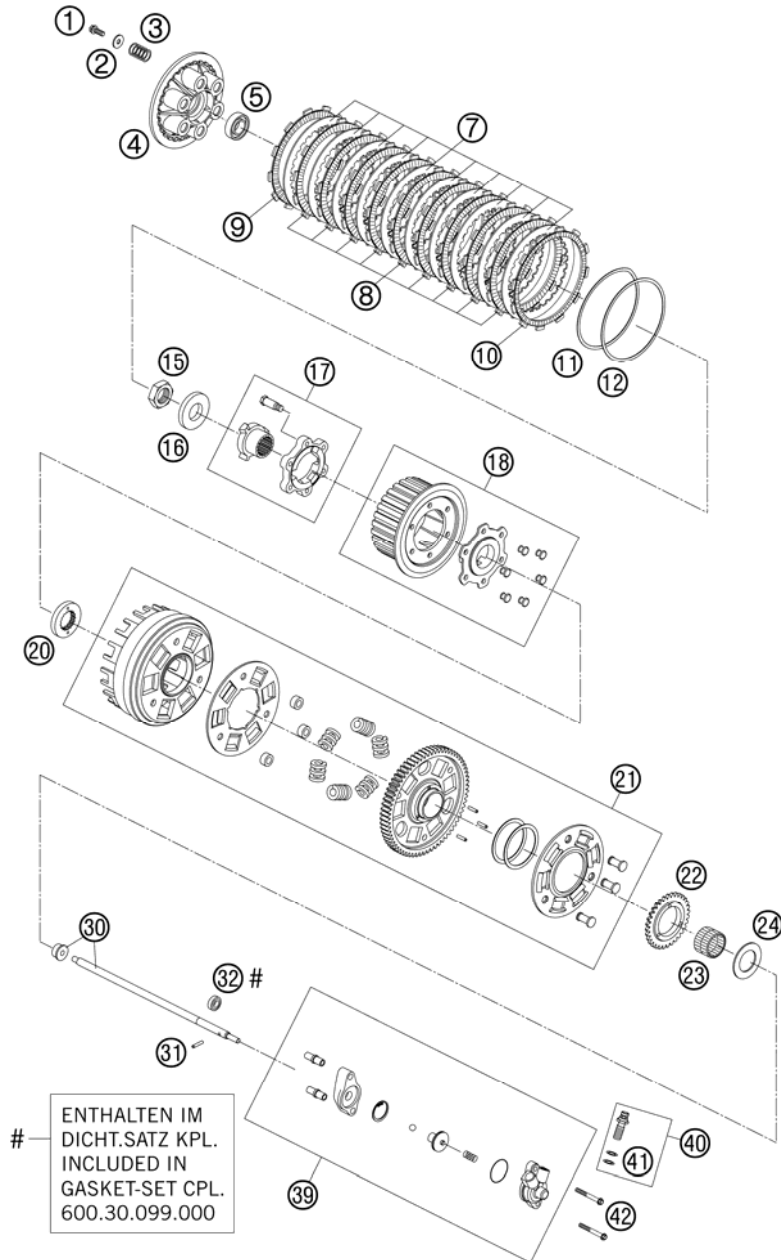


FIG	PART NUMBER	DESCRIPTION	QTY
1	0015060163	HH COLLAR SCREW M 6X16 WS=8	6
2	0021060003	WASHER DIN9021-A 6,4	6
3	60032005000	CLUTCH SPRING LC8 2003	6
4	60032003000	PRESSURE CAP LC8 2003	1
5	0625060032	BALL BEARING 6003 JR2 C4	1
7	60032010000	STEEL DISK 2MM 03	10
8	60032011000	LINING DISK 2,8MM 03	9
9	60032111000	LINING DISK OUTSIDE 2,8MM 03	1
10	60032012000	LINING DISK TURN OUT 2,8MM 03	1
11	60032034000	BELLEVILLE SPRING 2003	1
12	60032035000	THRUST WASHER 2003	1
15	0936220155	HEXAGON NUT DIN0936-M22X1,5 R.	1
16	0126220373	WASHER DIN0126 22X37X3 MM	1
17	60032080000	CLUTCH BOOSTER UNIT CPL. 03	1
18	60032002000	INNER CLUTCH HUB CPL. 03	1
20	60032021000	SECTION WASHER 03	1
21	60032001144	OUT.CLUTCH HUB CPL. 67-T 2004	1
22	60038001032	OIL PUMP GEAR WHEEL 32-T 03	1
23	0618303526	NEEDLE BUSH HK 30X35X26	1
24	60032020000	STOP DISK 30,2/50/2	1
30	60032054400	PUSH ROD CPL.	1
31	0402031780	NEEDLE ROL.DIN5402 NRB 3X17,8	1
32	0760091862	SHAFT SEAL RING 9X18X06 B-NBR	1
39*	60032061144	CYLINDER CPL. LC8 07	1
40	50332062000	HOLLOW SCREW CPL. M 10X1 '98	1
41	0603100141	COPPER GASKET DIN7603-10X14X1	2
42	0015060503	HH COLLAR SCREW M 6X50 WS=8	2

076113200 / C076113200

* NEW PART

X AS REQUIRED

TRANSMISSION I - MAIN SHAFT

990 SUPERDUKE USA 2007

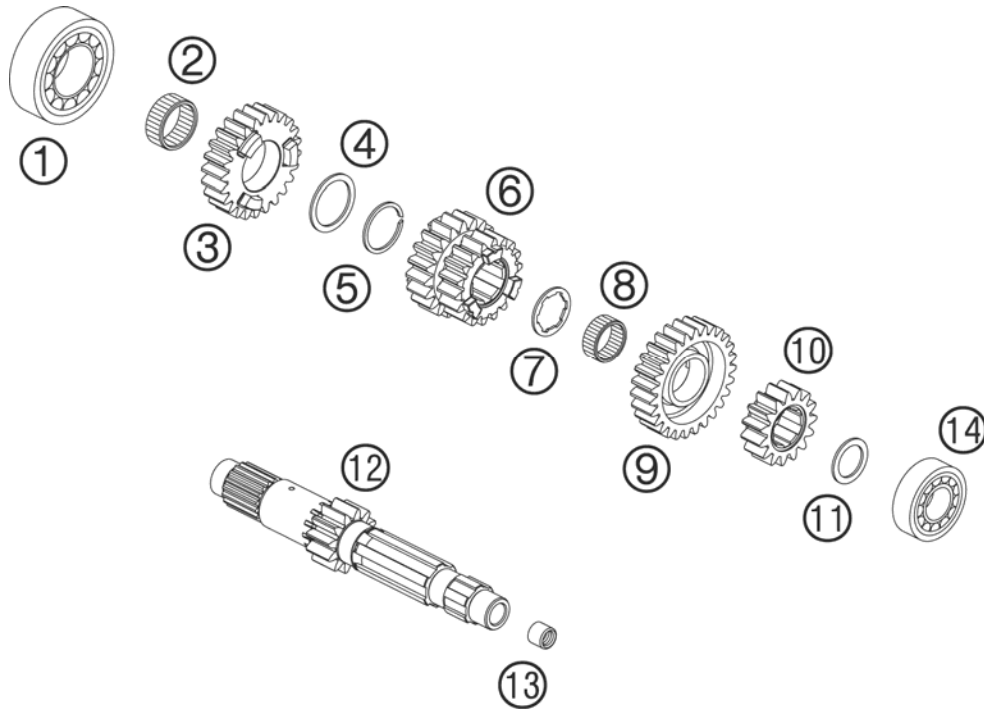


FIG	PART NUMBER	DESCRIPTION	QTY
1	0625062062	BALL BEARING 6206 C3 J1 NSK	1
2	0405263113	NEEDLE BEAR. K 26-31-13	1
3	61033005000	IDLER 5. GEAR 05	1
4	60033042000	STOP DISK 28,3/35,75/1,5	1
5	0417280150	LOCK RING DIN5417-WS28	1
6	61033003000	SLIDING GEAR 3/4 GEAR 05	1
7	60033041000	STOP DISK 22,2/30,2/1,5	1
8	0405222613	NEEDLE BEAR. K 22X26X13 TN	1
9	61033006000	IDLER 6. GEAR 05	1
10	61033002000	SOLID GEAR 2.G. 05	1
11	60033040015	STOP DISK 20,2/28/1,5	1
11	60033040016	STOP DISK 20,2/28/1,6	1
11	60033040017	STOP DISK 20,2/28/1,7	1
11	60033040018	STOP DISK 20,2/28/1,8	1
11	60033040019	STOP DISK 20,2/28/1,9	1
11	60033040020	STOP DISK 20,2/28/2,0	1
11	60033040021	STOP DISK 20,2/28/2,1	1
11	60033040022	STOP DISK 20,2/28/2,2	1
12	61033001000	MAIN SHAFT 05	1
13	0618091312	NEEDLE BUSH HK0912 9/13/12 03	1
14	0625062040	BALL BEARING 6204 DU J1 C3	1

03600330 / C066103300

* NEW PART

X AS REQUIRED

TRANSMISSION II - COUNTERSHAFT

990 SUPERDUKE USA 2007

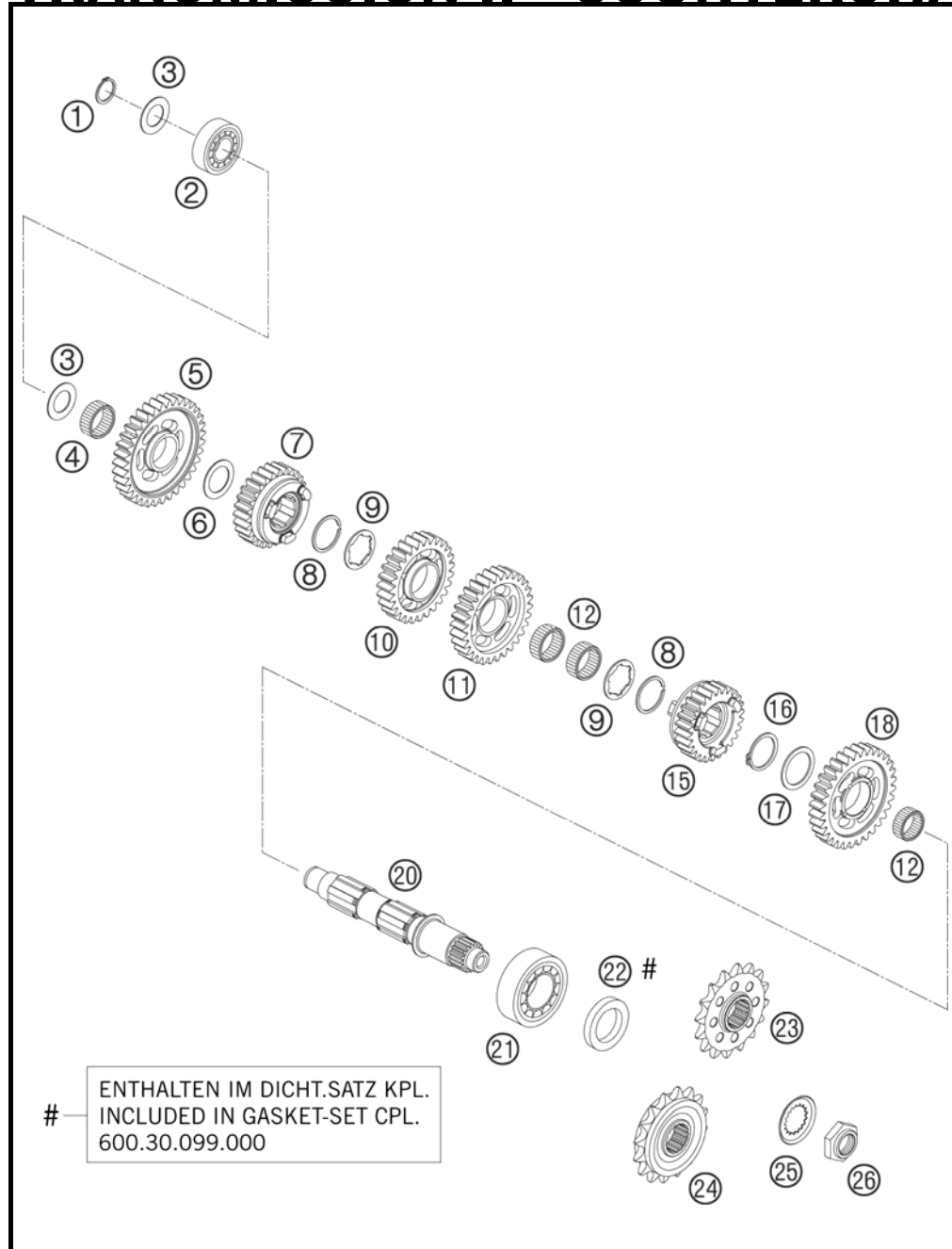


FIG	PART NUMBER	DESCRIPTION	QTY
1	0471200120	CIRCLIP DIN471 20X1,2	1
2	0625062040	BALL BEARING 6204 DU J1 C3	1
3	60033043000	STOP DISK 20,2 X 34 X 1	2
4	0405242813	NEEDLE BEAR. K 24X28X13 TN	1
5	61033011000	IDLER 1. GEAR 05	1
6	60033044000	STOP DISK 24,3/35,75/1	1
7	61033015000	5TH GEAR MAINSHAFT 05	1
8	0417300151	LOCK RING WS 30	2
9	60033045000	STOP DISK 26,2/36/1,5	2
10	61033014000	IDLER GEAR 4TH G 05	1
11	61033013000	IDLER 3. GEAR 05	1
12	0405263113	NEEDLE BEAR. K 26-31-13	3
15	61033016000	6th gear mainshaft 05	1
16	0471300151	CIRCLIP DIN0471-30X1,5 NIRO	1
17	60033046000	STOP DISK 30,2/39/1,5	1
18	61033012000	IDLER 2. GEAR 05	1
20	60033010000	COUNTERSHAFT 03	1
21	50330082000	CYL.ROLLER BEAR.NJ206 ET2XCS46	1
22	0760304772	SH.SEAL RING 30X47X7 BSL VITON	1
23	60033029016	CHAIN SPROCKET 16-T 03	x
23	60033029017	CHAIN SPROCKET 17-T 03	x
24*	60033129016	% CHAIN SPROCKET 16-T DAMP 03	1
24	60033129017	CHAIN SPROCKET 17-T DAMPED 03	x
25	60033034000	SECURING PLATE TOOTHED 03	1
26	60033035000	HEXAGON NUT M20X1,5 03	1

ENTHALTEN IM DICHT.SATZ KPL.
INCLUDED IN GASKET-SET CPL.
600.30.099.000

05600331 / C076113301

* NEW PART

X AS REQUIRED



SHIFTING MECHANISM

990 SUPERDUKE USA 2007

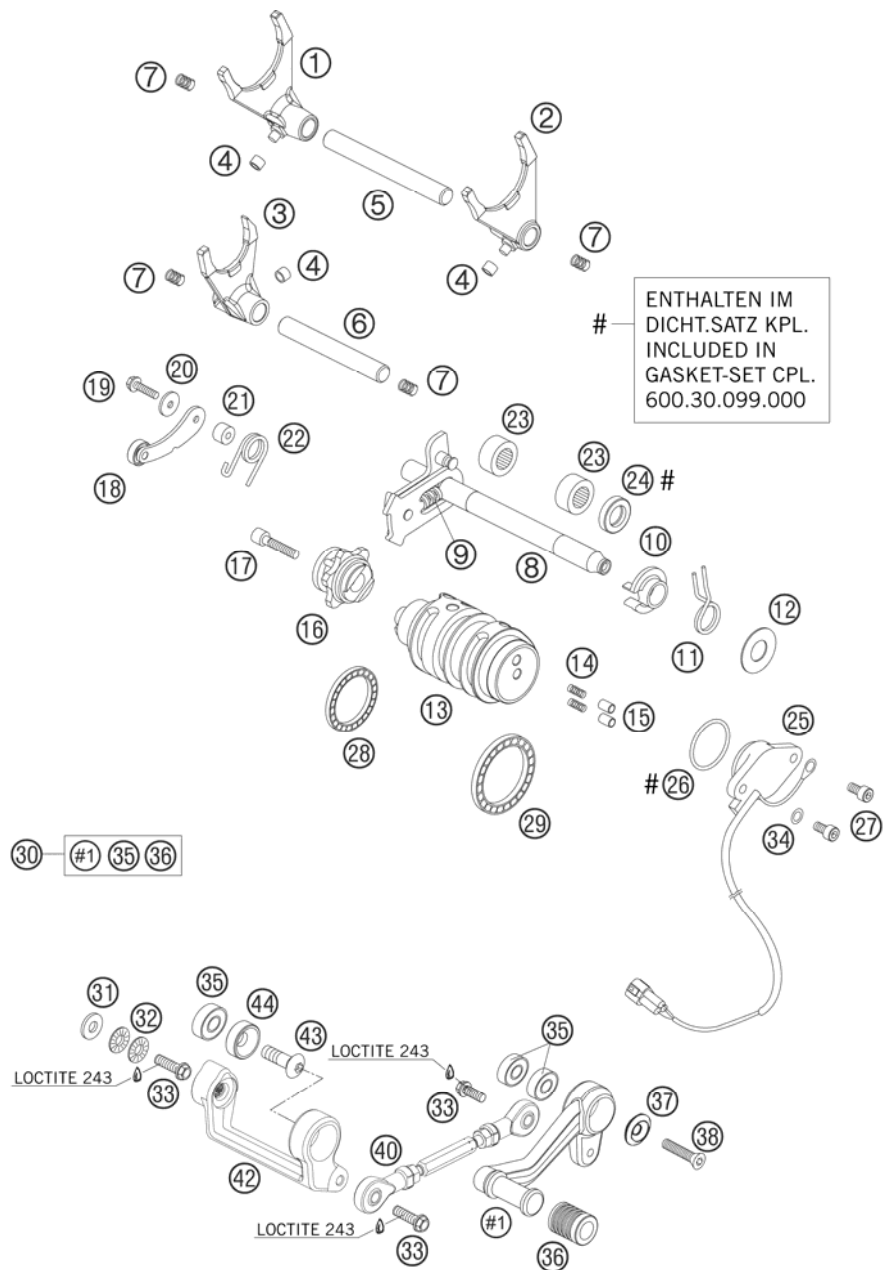


FIG	PART NUMBER	DESCRIPTION	QTY
1	60034001000	SHIFT FORK 1-4 GEAR LC8 03	1
2	60034002000	SHIFT FORK 2-3 GEAR LC8 03	1
3	60034003000	SHIFT FORK 5-6 GEAR LC8 03	1
4	50334018100	SHIFTING ROLLER 6X8X5,2	3
5	59034020000	SHIFT RAIL 11,8X105MM	1
6	59034019000	SHIFT RAIL 11,8X89MM	1
7	58038023200	PRESSURE SPRING 0,9MM	4
8	60034005044	SHIFT SHAFT CPL. 03	1
9	56534013100	TENSIONING SPRING 0,8MM	1
10	54634020000	SPRING GUIDE	1
11	54634014100	RETURN SPRING 2,2MM '95	1
12	54634050000	STOP DISK 14X30X1	1
13	60034012300	SHIFT ROLLER CPL. 06	1
14	60034014000	CONTACT SPRING 03	2
15	60034037000	CONTACT BOLT 03	2
16	60034015044	SHIFT ARRESTING CPL. 03	1
17	0984060302	AH SCREW DIN6912 M 6X30	1
18	60034024044	ARRESTING LEVER CPL. 03	1
19	0015050203	HH COLLAR SCREW M 5X20 WS=8	1
20	0349000050	WASHER DIN7349-5X15X2	1
21	54634052300	SLEEVE FOR LOCKING LEVER	1
22	60034023000	ARRESTING LEVER SPRING 03	1
23	54632095000	NEEDLE BEAR.HK 1412 14X20X12	2
24	0760142460	SHAFT SEAL RING 14X24X6 B	1
25	60011023100	GEAR-POSITION SENSOR 06	1
26	0770275025	O-RING 27,5X2,5 NBR	1
27	0912050123	AH SCREW DIN0912-M 5X12	2
28	0625618050	BALL BEARING 61805 C3	1
29	0625068080	GROOVED BALL BEARING 6808 JRC3	1
30*	6103403104401S	SHIFT LEVER CPL. 07	1
31	50232050001	STEEL WASHER 6,4X17X3	1
32	50233041000	PAIR OF WASHERS M 6 NORDLOCK	1
33	59009062019	SPECIAL SCREW M6X19 WS=8 10.9	3
34	0125050003	WASHER DIN0125-A 5,3	1
35	0625006087	GROOVED BALL BEAR. 608 2RS C3	3
36	61034035000	RUBBER FOR SHIFT LEVER 05	1

066103400 / C076113400

* NEW PART

X AS REQUIRED

SHIFTING MECHANISM

990 SUPERDUKE USA 2007

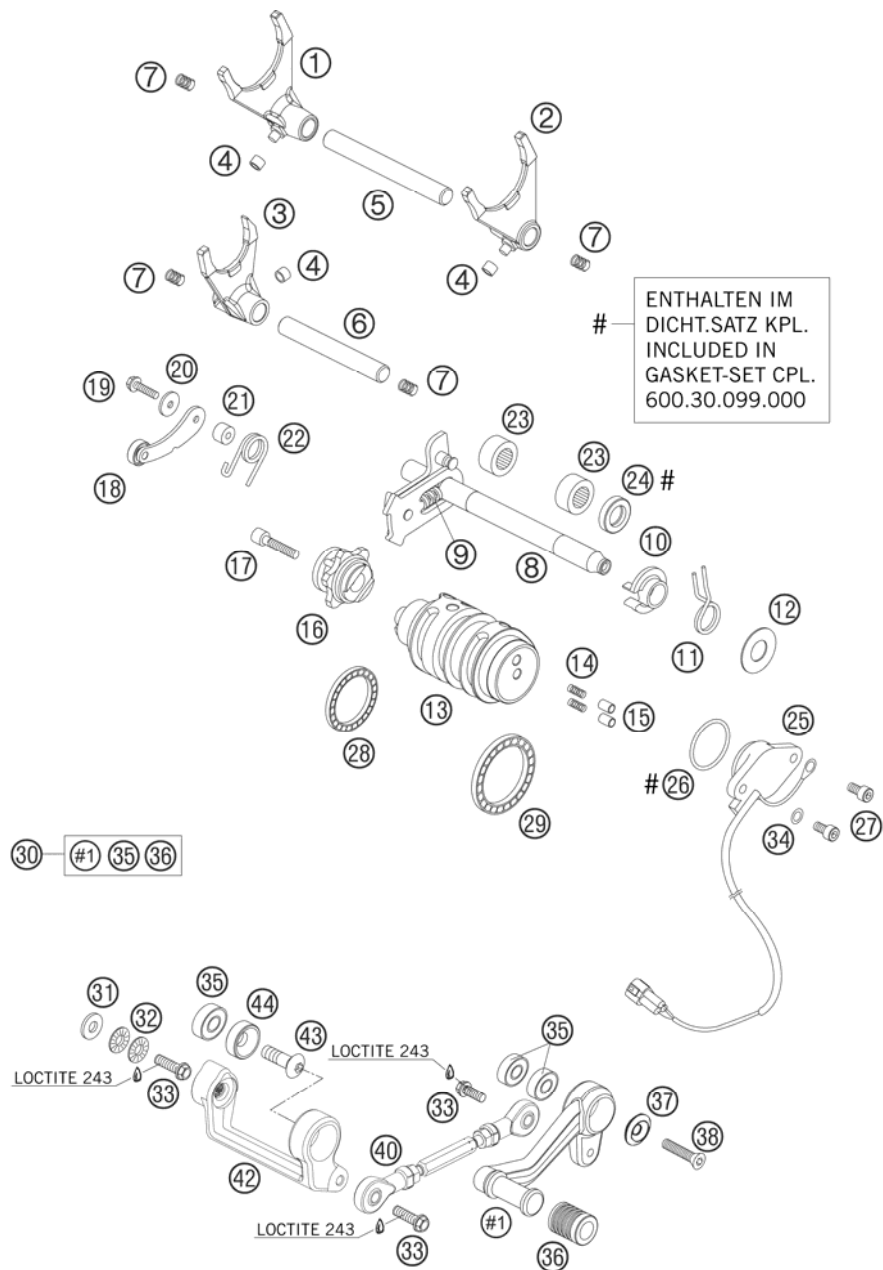


FIG	PART NUMBER	DESCRIPTION	QTY
37	58303061100	SPECIAL WASHER ALU 8X24 MM ELO	1
38	61013059000	FLAT HEAD SCREW M8X32 SL 05	1
40	61034036044	SHIFT ROD CPL. 05	1
42*	6103403000001S	RELAY LEVER SELECTOR SHAFT 07	1
43	54510052100	SPROCKET SCREW-AH M8X26 WS=6	1
44	61034030050	WASHER COUNT. 8,5X21X7,804	1

066103400 / C076113400

* NEW PART

X AS REQUIRED

COOLING SYSTEM

990 SUPERDUKE USA 2007

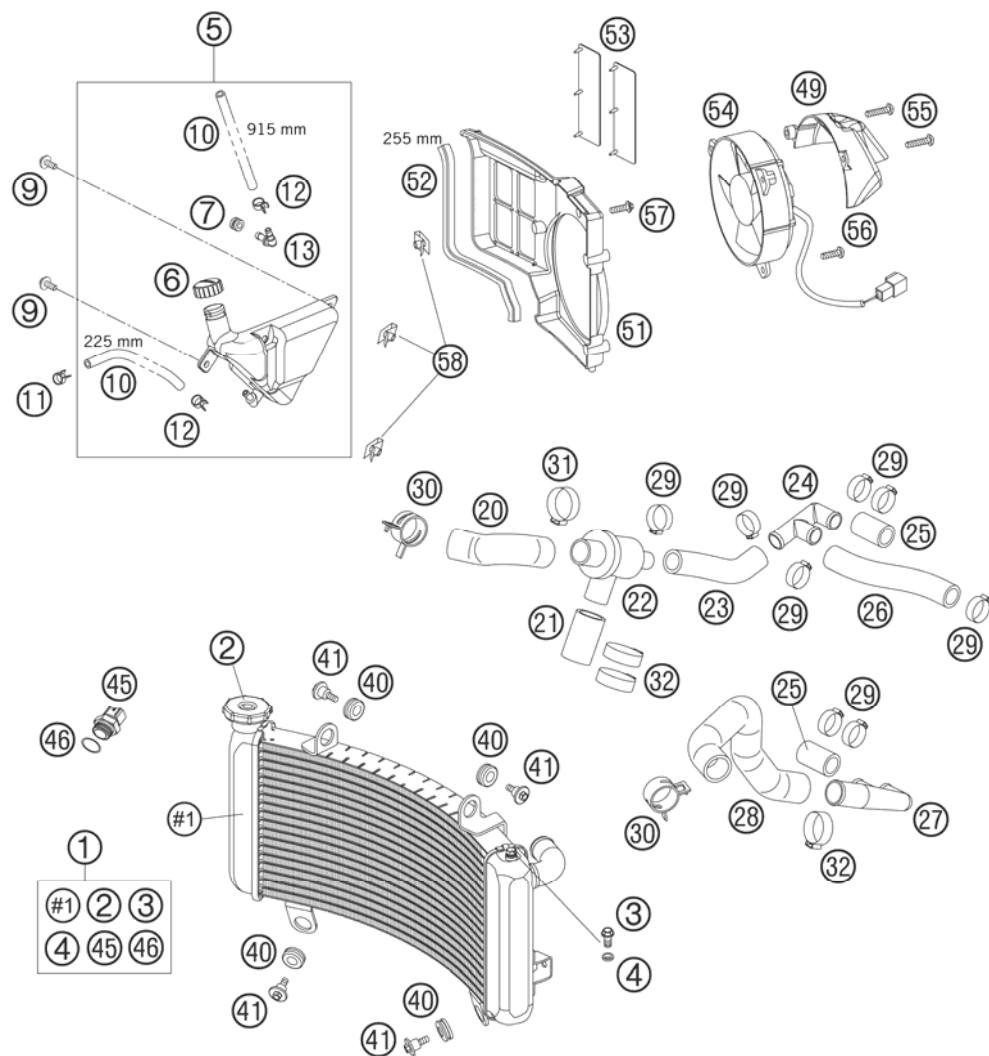


FIG	PART NUMBER	DESCRIPTION	QTY
1	61035010000	RADIATOR 990 DUKE 05	1
2	61035016000	RADIATOR CAP 990 DUKE 05	1
3	0015060103	HH COLLAR SCREW M 6X10 WS=8	1
4	0125060003	WASHER DIN0125-A 6,4	1
5	61035065000	EXPANSION TANK CPL. 05	1
6	60035066000	PLUG F. EXPANSION TANK	1
7	58214069051	RUBBER GROMMET 16X10,8X3 02	1
9	0014060153	HH COLLAR SCREW M 6X15 WS=8	2
10	60035067001	HOSE 6X10 EPDM 03	x
11	50231005000	HOSE CLAMP YDNAC 10119 11MM	1
12	58007117000	YDNAC-CLAMP 10107 10MM	2
13	60035068000	ANGLE CONNECTION EXPANS. TANK	1
20	60035031000	RADIATOR HOSE THERM./RAD.	1
21	60035030000	RADIATOR HOSE THERM./PUMP 03	1
22	60035017000	THERMOSTAT 75° CPL. W. CASE 03	1
23	60035025000	RADIATOR HOSE THERM./DISTR. 03	1
24	60035019000	DISTRIBUTOR R/S 18/18/18MM 03	1
25	60035026000	RADIATOR HOSE CYL./DISTR. 03	2
26	60035027000	RADIATOR HOSE DISTR./DISTR. 03	1
27	60035028000	DISTRIBUTOR L/S 18/18/25MM 03	1
28	60035024000	RADIATOR HOSE RADIATOR L/S 03	1
29	00050271708	VARIABLE ONE-EAR CLAMP 27,1MM	8
30	00049320121	CLAMP STD DN32	2
31	00050346706	VARIABLE ONE-EAR CLAMP 34,6MM	1
32	00050331706	VARIABLE ONE-EAR CLAMP 33,1MM	3
40	41001052000	RUBBER SLEEVE D=12MM	4
41	60035001000	SCREW RADIATOR BRACKET M6 03	4
45	60035045000	THERMOSWITCH LC8 102DG '03	1
46	0770017015	O-RING 17X1,5 NB75	1
49	61035044050	FAN CAP 05	1
51	60035044000	FAN COWL L/S 03	1
52	58312085100	EDGE PROTECTOR PER METER	x
53	58435044050	FAN FLAP RUBBER LC4 2000	2
54	60035041000	FAN L/S 03	1
55	0017060303	SPECIAL SCREW T60 6X30 WS=6	2
56	0017060203	EJOT PT SCREW K60X20 WS=6	1

05610351 / C066103501

* NEW PART

X AS REQUIRED

COOLING SYSTEM

990 SUPERDUKE USA 2007

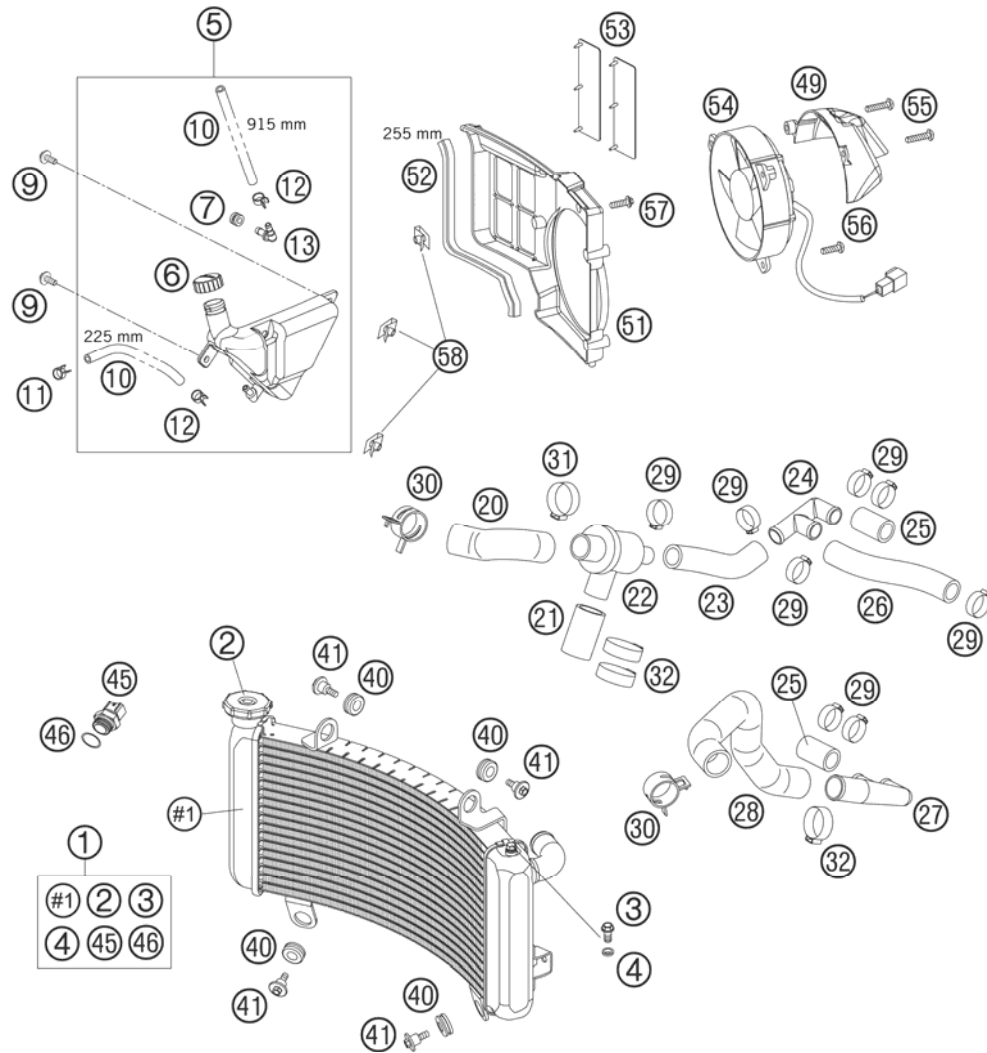


FIG	PART NUMBER	DESCRIPTION	QTY
57	0014060203	HH COLLAR SCREW M 6X20 WS=8	1
58	54603048100	RANGE CHANGE METAL NUT M6	3

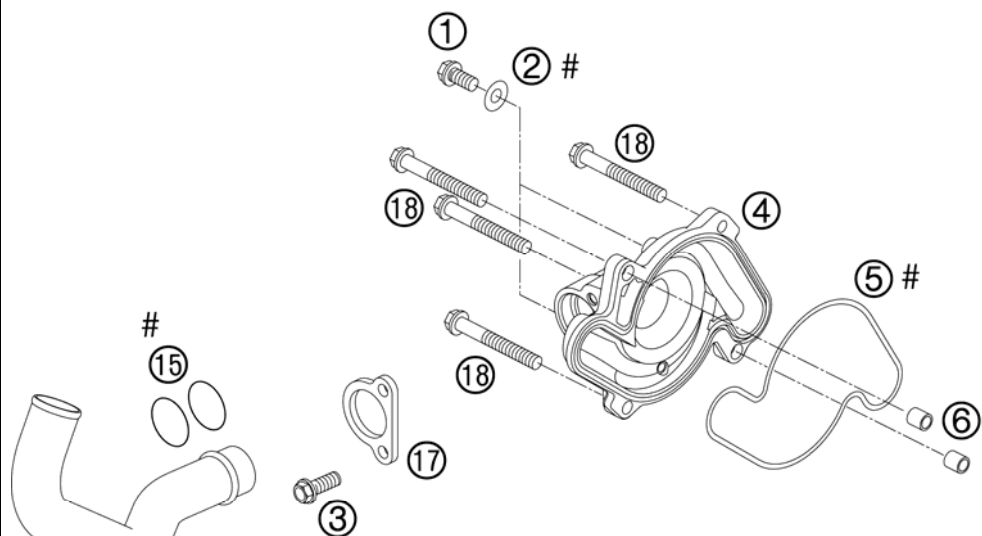
05610351 / C066103501

* NEW PART

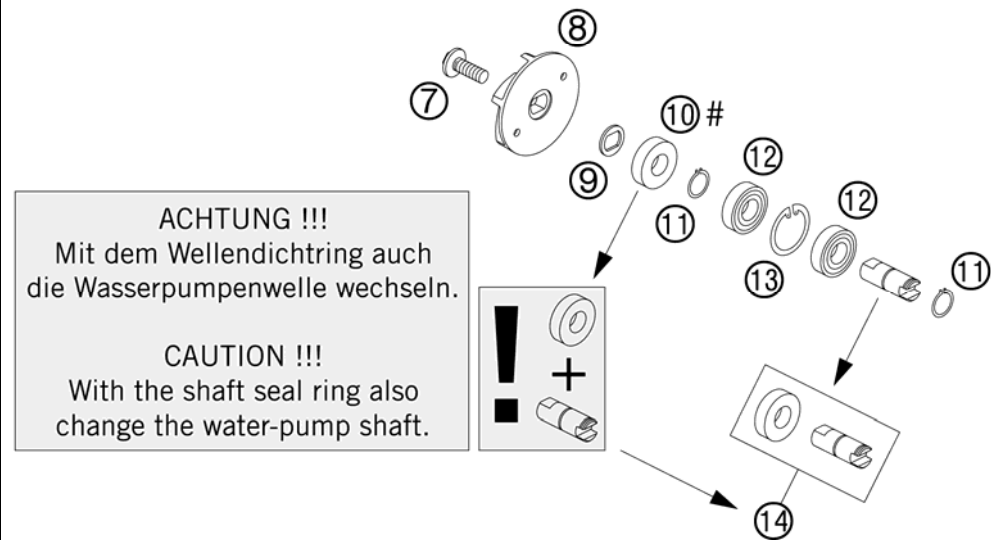
X AS REQUIRED

WATER PUMP

990 SUPERDUKE USA 2007



ENTHALTEN IM DICHT.SATZ KPL.
INCLUDED IN GASKET-SET CPL.
600.30.099.000



ACHTUNG !!!
Mit dem Wellendichtring auch
die Wasserpumpenwelle wechseln.

CAUTION !!!
With the shaft seal ring also
change the water-pump shaft.

FIG	PART NUMBER	DESCRIPTION	QTY
1	0015060103	HH COLLAR SCREW M 6X10 WS=8	2
2	0603061001	CU-SEAL RING DIN7603-6X10X1	2
3	0015060163	HH COLLAR SCREW M 6X16 WS=8	2
4	60035052000	WATER-PUMP COVER 03	1
5	60035053000	WATER-PUMP GASKET 03	1
6	59030023000	DOWEL 6X8X11,5	2
7	0014060153	HH COLLAR SCREW M 6X15 WS=8	1
8	60035055100	WATER-PUMP WHEEL LC8 03	1
9	60035055150	FORM WASHER 16X1 NIRO 03	1
10*	0760123073	SHAFT SEAL RING 12X30X7 PTFE DOUBLE-LIP	1
11	0471120010	CIRCLIP DIN0471-12X1	2
12	0625069010	GROOVED BALL BEARING 6901V C3	2
13	0472240120	CIRCLIP DIN472 D=24X1,2	1
14*	60035054044	WATER PUMP SHAFT W/ SEAL RING INCL. SHAFT SEAL RING	1
15	0770250030	O-RING 25,00X3,00 NBR 70	2
16	60035021000	ALUMINUM TUBE WATER-PUMP 03	1
17	60035021050	FIXING CLAMP WATER-P. TUBE 03	1
18	0015060603	HH COLLAR SCREW M 6X60 WS=8	4

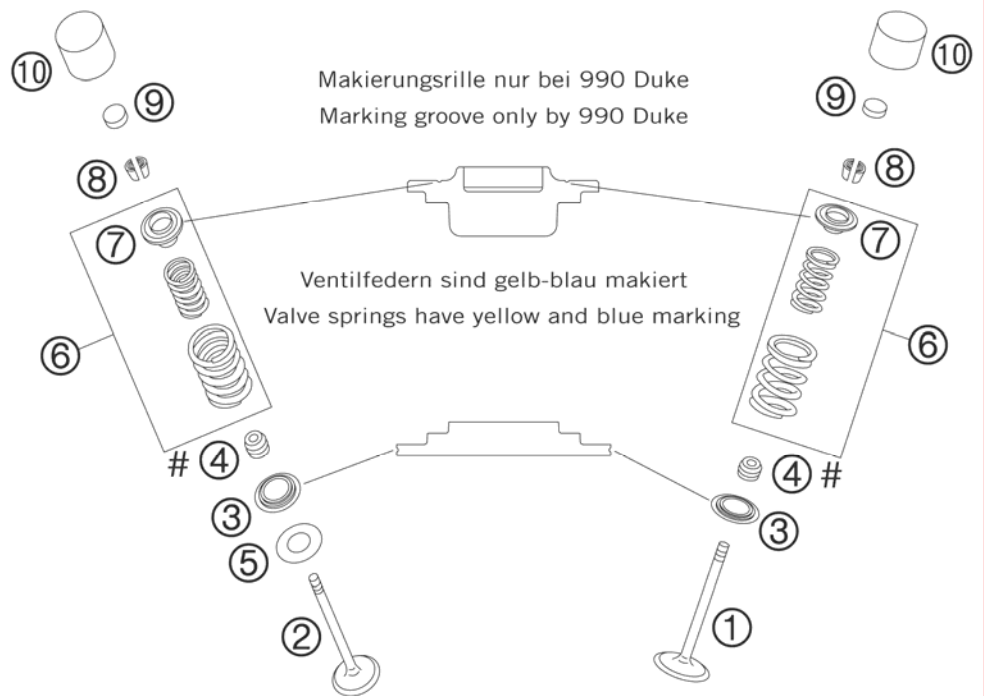
05600350 / C076103500

* NEW PART

X AS REQUIRED

EXHAUST

INTAKE



ENTHALTEN IM DICHTUNGSSATZ KPL.
INCLUDED IN GASKET-SET CPL.
600.30.099.000
ENTHALTEN IM DICHT.SATZ ZYL.KOPF
INCLUDED IN GASKET-SET CYL. HEAD
600.30.097.000

FIG	PART NUMBER	DESCRIPTION	QTY
1	60036030000	INTAKE VALVE 03	4
2	60036031100	EXHAUST VALVE 05	4
3	61036036000	VALVE SPRING HOLDER 05	8
4	59036027000	VALVE-STEM SEALING RACING	8
5	54634050000	STOP DISK 14X30X1 EXHAUST	4
6	61036029044	VALVE SPRING SET CPL. 05	8
7	61036032000	VALVE SPRING RETAINER STEEL 05	8
8	60036033000	VALVE COLLET MK6 03	16
9	60036035200	SHIM D=10/2,00 03	x
9	60036035205	SHIM D=10/2,05 03	x
9	60036035210	SHIM D=10/2,10 03	x
9	60036035215	SHIM D=10/2,15 03	x
9	60036035220	SHIM D=10/2,20 03	x
9	60036035225	SHIM D=10/2,25 03	x
9	60036035230	SHIM D=10/2,30 03	x
9	60036035235	SHIM D=10/2,35 03	x
9	60036035240	SHIM D=10/2,40 03	x
9	60036035245	SHIM D=10/2,45 03	x
9	60036035250	SHIM D=10/2,50 03	x
9	60036035255	SHIM D=10/2,55 03	x
9	60036035260	SHIM D=10/2,60 03	x
9	60036035265	SHIM D=10/2,65 03	x
9	60036035270	SHIM D=10/2,70 03	x
9	60036035275	SHIM D=10/2,75 03	x
9	60036035280	SHIM D=10/2,80 03	x
9	60036035285	SHIM D=10/2,85 03	x
9	60036035290	SHIM D=10/2,90 03	x
9	60036035295	SHIM D=10/2,95 03	x
9	60036035300	SHIM D=10/3,00 03	x
9	60036035305	SHIM D=10/3,05 03	x
9	60036035310	SHIM D=10/3,10 03	x
9	60036035315	SHIM D=10/3,15 03	x
9	60036035320	SHIM D=10/3,20 03	x
10	61036034000	BUCKET TAPPET 05	8

05610363 / C066103603

* NEW PART

X AS REQUIRED

TIMING VALVE

990 SUPERDUKE USA 2007

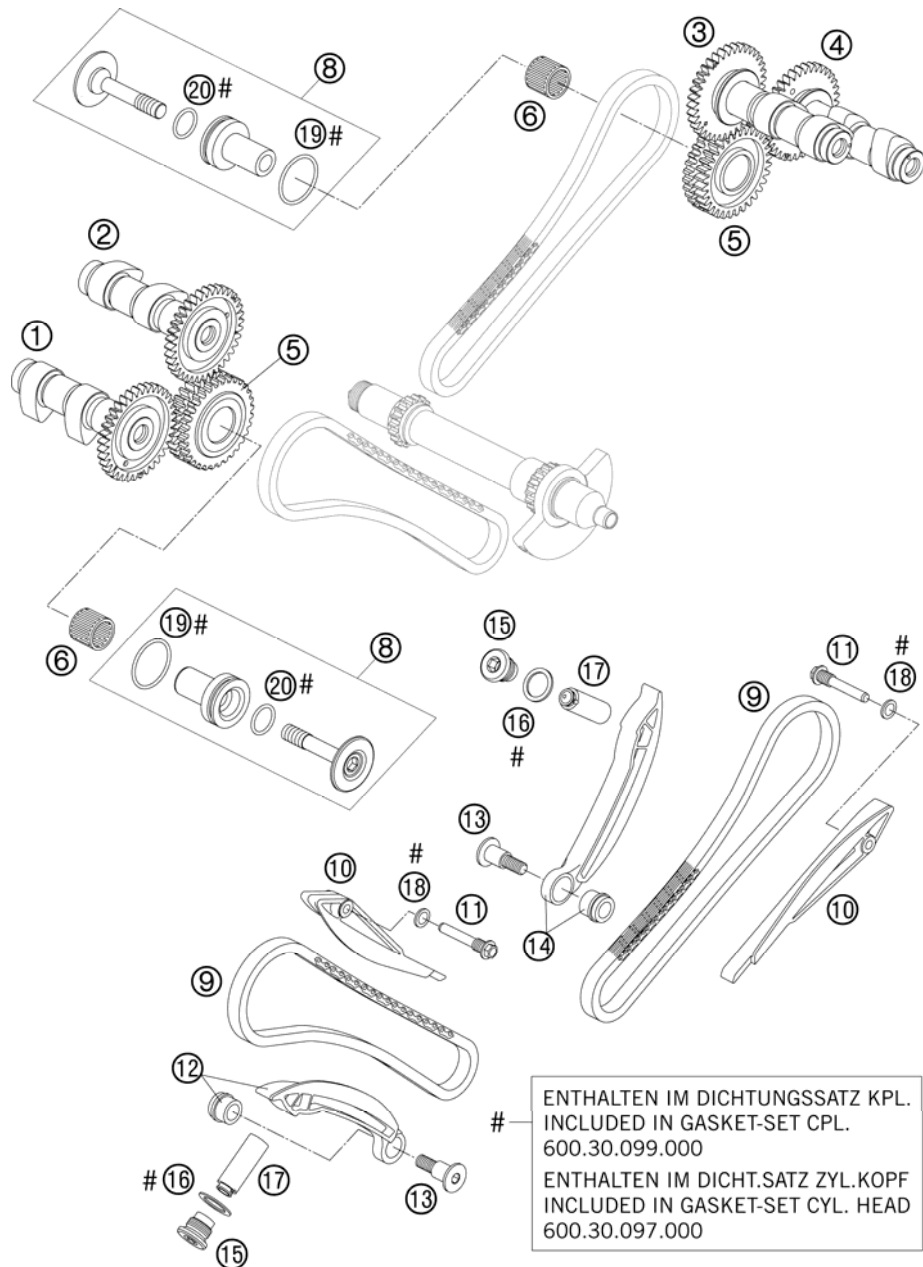


FIG	PART NUMBER	DESCRIPTION	QTY
1*	61136010000	CAMSHAFT OUTLET FRONT	1
2*	61136009000	CAMSHAFT INTAKE FRONT	1
3*	61136109000	CAMSHAFT INTAKE REAR	1
4*	61136110000	CAMSHAFT OUTLET REAR	1
5	60036070000	TIMING GEARS 32-T CPL. 03	2
6	0405182420	NEEDLE BEARING K18/24/20	2
8*	60036071100	BEARING BOLT	2
9	60036013000	TOOTH CHAIN 88 LINK 6,35PITCH	2
10	60036001000	GUIDE RAIL 03	2
11	60036002060	BUSHING SCREW 2 CYL. 03	2
12	60036002000	TENSIONER RAIL CPL. FRONT 03	1
13	60036002050	COLLAR SCREW AH M8 03	2
14	60036102000	TENSIONER RAIL CPL. REAR 03	1
15	60036008000	SCREW PLUG M16X1,5 03	2
16	0603162013	CU SEAL-RING DIN7603 16X20X1,3	2
17	60036003000	TIMING-CH.TENS. HYDR.(75YM) 03	2
18	0603082121	SEAL RING CU DIN7603- 8X12X1	2
19*	0770290020	O-RING 29X2 VITON	2
20*	0770160021	O-RING 16,00X2,00 VITON	2

076003604 / C076113602

* NEW PART

X AS REQUIRED

CYLINDER HEAD FRONT

990 SUPERDUKE USA 2007

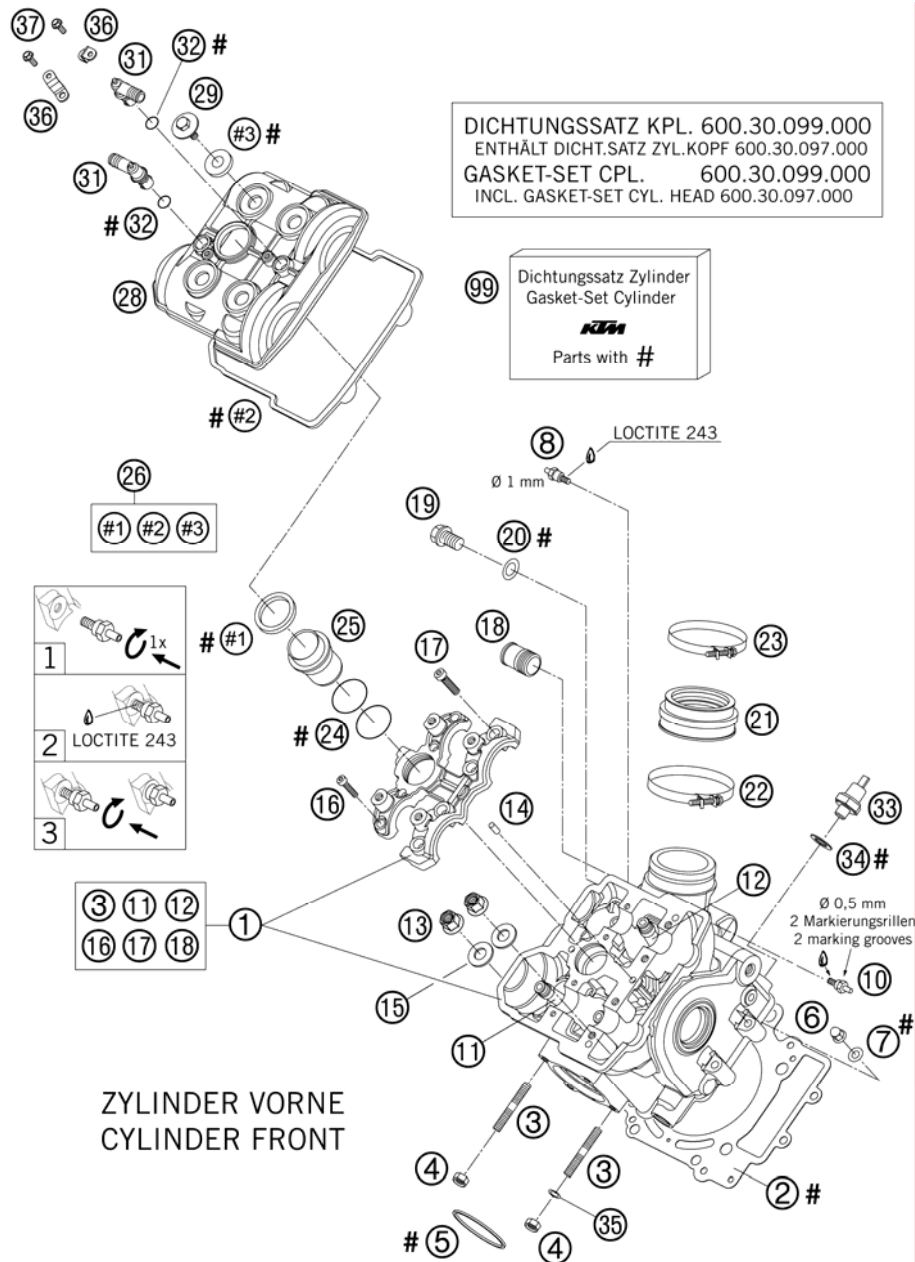


FIG	PART NUMBER	DESCRIPTION	QTY
1*	61136020044	CYLINDER HEAD CPL. FRONT 07	1
2	60030036000	CYLINDER HEAD GASKET 0,5 101MM	1
3	0835080256	STUD DIN0835-M 8X25 10.9	2
4	51010086100	SELF LOCKING NUT M 8 CU	2
5	61005005000	EXHAUST GASKET 05	1
6	0587060000	CAP NUT M6 DIN1587 02	2
7	0125060003	WASHER DIN0125-A 6,4	2
8	61036023100	VACUUM CONECTION 2006	1
10*	60036023100	VACUUM CONECTION M6/0,5MM	1
11	60036026100	VALVE GIUDE OUTLET '05	2
12	60036025100	VALVE GIUDE INDUCTION '05	2
13	60036078200	COLLAR NUT M 10 WS=13 05	4
14	0402050980	NEEDLE ROLLER DIN5402 5X9,8	2
15	60036078050	SHIM 10,2X19X1,5MM 05	4
16	0912060255	AH SCREW DIN0912-M 6X25 10.9	4
17	0984080305	AH SCREW DIN7984-M 8X30 10.9	4
18*	58030010200	SCREW IN NOZZLE M20X1,5	1
19	0908120153	PLUG DIN0908-M12X1,5	1
20	58038022000	CU-SEAL RING DIN7603-12X18X1,5	1
21	61036044000	RUBBERSLEEVE INTAKE FLANGE 05	1
22	61036048000	HOSE CLAMP GEMI 66MM 05	1
23	61036047000	HOSE CLAMP GEMI 63MM 05	1
24	0770298178	O-RING 29,87X1,78 VITON	2
25*	61136075000	INSERT SPARK-PLUG SHAFT 08	1
26	60036099000	VALVE COVER GASKET SET FR+RR	1
28	60036052000	VALVE COVER FRONT 03	1
29	60036052020	COLLAR SCREW M 6 WS=10 03	4
31	60038082000	ANGLE CONNECTOR LC8 03	2
32	0770080020	O-RING 8X2 SILICONE	2
33	60038091100	OIL-PRESSURE SWITCH LC8 04	1
34	0603100141	COPPER GASKET DIN7603-10X14X1	1
35	61005009000	SPACER BUSH. 8,5X15X7,5 05	1
36	60038082050	ANGLE CONNECTOR BRACKET PANEL	2
37	0009050103	SPECIAL SCREW M 5,0X10	2
99	60030097000	GASKET SET CYL. HEAD KPL. 03 CYLINDER FRONT + REAR	1

076013604 / C076113604

* NEW PART

X AS REQUIRED

CYLINDER HEAD REAR

990 SUPERDUKE USA 2007

DICHTUNGSSATZ KPL. 600.30.099.000
 ENTHÄLT DICHT.SATZ ZYL.KOPF 600.30.097.000
 GASKET-SET CPL. 600.30.099.000
 INCL. GASKET-SET CYL. HEAD 600.30.097.000

99 Dichtungssatz Zylinder
 Gasket-Set Cylinder

 Parts with #



Ø 0,5 mm
 2 Markierungsgrillen
 2 marking grooves
 LOCTITE 243

ZYLINDER HINTEN
 CYLINDER REAR

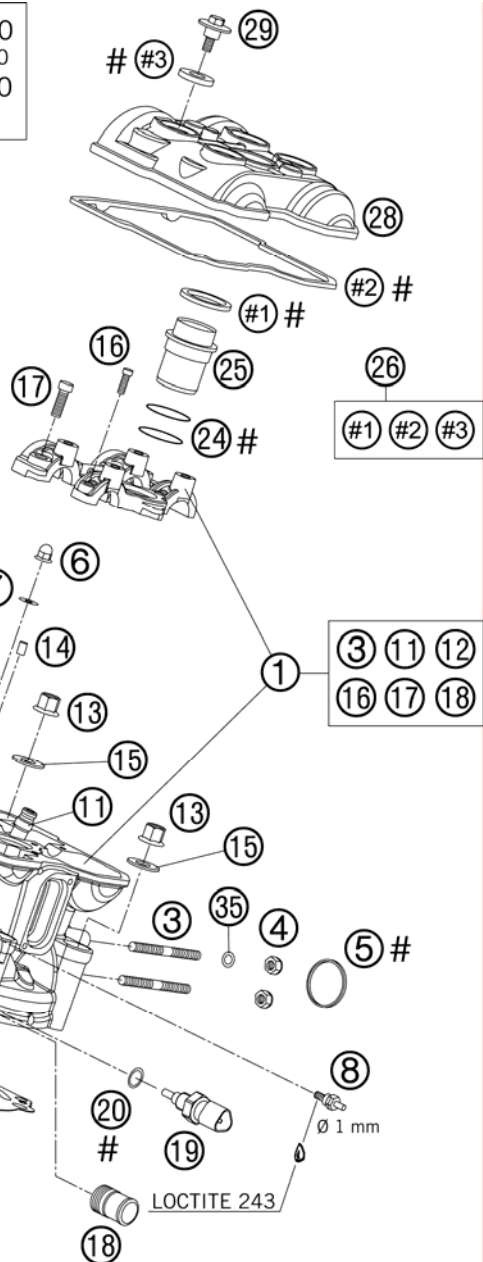


FIG	PART NUMBER	DESCRIPTION	QTY
1*	61136120044	CYLINDER HEAD CPL. REAR 07	1
2	60030036000	CYLINDER HEAD GASKET 0,5 101MM	1
3	0835080256	STUD DIN0835-M 8X25 10.9	2
4	51010086100	SELF LOCKING NUT M 8 CU	2
5	61005005000	EXHAUST GASKET 05	1
6	0587060000	CAP NUT M6 DIN1587 02	2
7	0125060003	WASHER DIN0125-A 6,4	2
8	61036023100	VACUUM CONECTION 2006	1
10*	60036023100	VACUUM CONECTION M6/0,5MM	1
11	60036026100	VALVE GIUDE OUTLET '05	2
12	60036025100	VALVE GIUDE INDUCTION '05	2
13	60036078200	COLLAR NUT M 10 WS=13 05	4
14	0402050980	NEEDLE ROLLER DIN5402 5X9,8	2
15	60036078050	SHIM 10,2X19X1,5MM 05	4
16	0912060255	AH SCREW DIN0912-M 6X25 10.9	4
17	0984080305	AH SCREW DIN7984-M 8X30 10.9	4
18*	58030010200	SCREW IN NOZZLE M20X1,5	1
19*	75035047000	TEMPERATURE SENSOR WATER 07	1
20	0770100020	O-RING 10,00X2,00 SILCONE	1
21	61036044000	RUBBERSLEEVE INTAKE FLANGE 05	1
22	61036048000	HOSE CLAMP GEMI 66MM 05	1
23	61036047000	HOSE CLAMP GEMI 63MM 05	1
24	0770298178	O-RING 29,87X1,78 VITON	2
25*	61136075000	INSERT SPARK-PLUG SHAFT 08	1
26	60036099000	VALVE COVER GASKET SET FR+RR	1
28	60036152000	VALVE COVER REAR 03	1
29	60036052020	COLLAR SCREW M 6 WS=10 03	4
35	61005009000	SPACER BUSH. 8,5X15X7,5 05	1
99	60030097000	GASKET SET CYL. HEAD KPL. 03 CYLINDER FRONT + REAR	1

076113605 / C076113605

* NEW PART

X AS REQUIRED

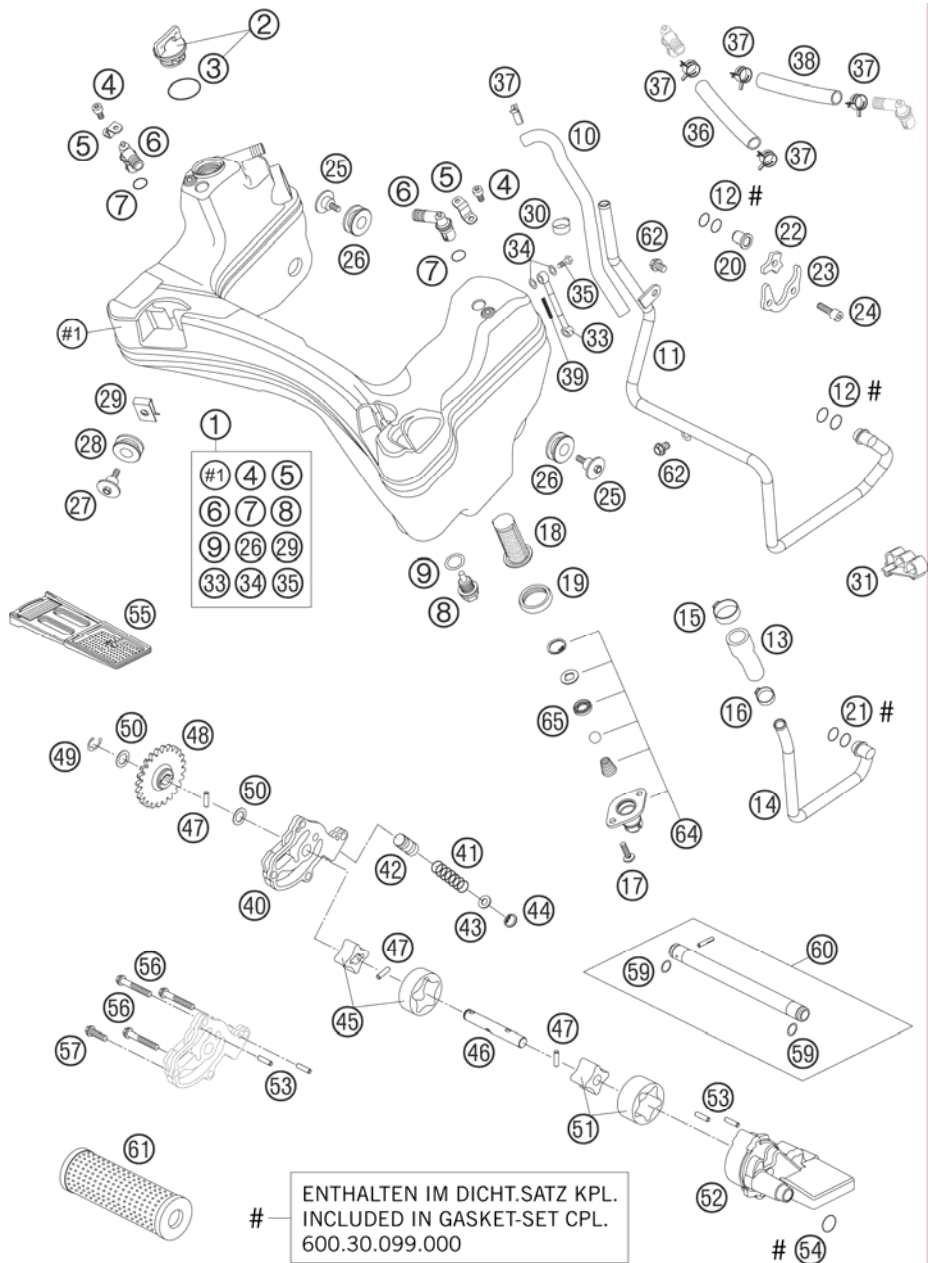


FIG	PART NUMBER	DESCRIPTION	QTY
1	61038081000	OIL TANK KPL. 05	1
2	58030020100	PLUG CPL. M24X3	1
3	0770191015	O-RING 19,00X3,00 NBR	1
4	0912050103	AH SCREW DIN0912-M 5X10	2
5	60038082050	ANGLE CONNECTOR BRACKET PANEL	2
6	60038082000	ANGLE CONNECTOR LC8 03	2
7	0770080020	O-RING 8X2 SILICONE	2
8	58030021000	OILDRAIN PLUG W.MAG. M 12X1,5	1
9	58038022000	CU-SEAL RING DIN7603-12X18X1,5	1
10	60038061103	PREFORMED HOSE D9X3,5	1
11	60038061044	OIL PIPE "B"	1
12	0770090021	O-RING 9X2 VITON	4
13	61038034000	OIL HOSE PIPE A 05	1
14	60038060044	OIL PIPE "A"	1
15	00050256706	VARIABLE ONE-EAR CLAMP 25,6MM	1
16	00050198706	VARIABLE ONE-EAR CLAMP 19,8MM	1
17	0015060163	HH COLLAR SCREW M 6X16 WS=8	2
18	60038017000	OIL SCREEN FINISHED 03	1
19	60038018000	GASKET FOR OIL FILTER HNBR 03	1
20	60038024000	PLUG 10MM LC8 03	1
21	0770110021	O-RING 11X2 VITON	2
22	60038037000	RETAINING PLATE 2 LC8 03	1
23	60038036000	RETAINING PLATE 1 LC8 03	1
24	0912060203	AH SCREW DIN0912-M 6X20	3
25	60038083000	SCREW OIL TANK FIXING 03	3
26	54605068000	EXHAUST BRACKET RUBBER BLACK	3
27	60035001000	SCREW RADIATOR BRACKET M6 03	2
28	41001052000	RUBBER SLEEVE D=12MM	2
29	54603048100	RANGE CHANGE METAL NUT M6	2
30	00050185706	VARIABLE ONE-EAR CLAMP 18,5MM	1
31	61011093000	WIRING HOLDER 05	x
33	61038084000	OIL RISING PIPE CPL. 05	1
34	0603082121	SEAL RING CU DIN7603- 8X12X1	4
35*	58038029000	BANJO BOLT M8X1	2
36	60038059130	OIL TANK BREATHING HOSE R/S	1
37	00049160121	CLAMP STD DN16	5

05610380 / C076113800

* NEW PART

X AS REQUIRED

LUBRICATING SYSTEM

990 SUPERDUKE USA 2007

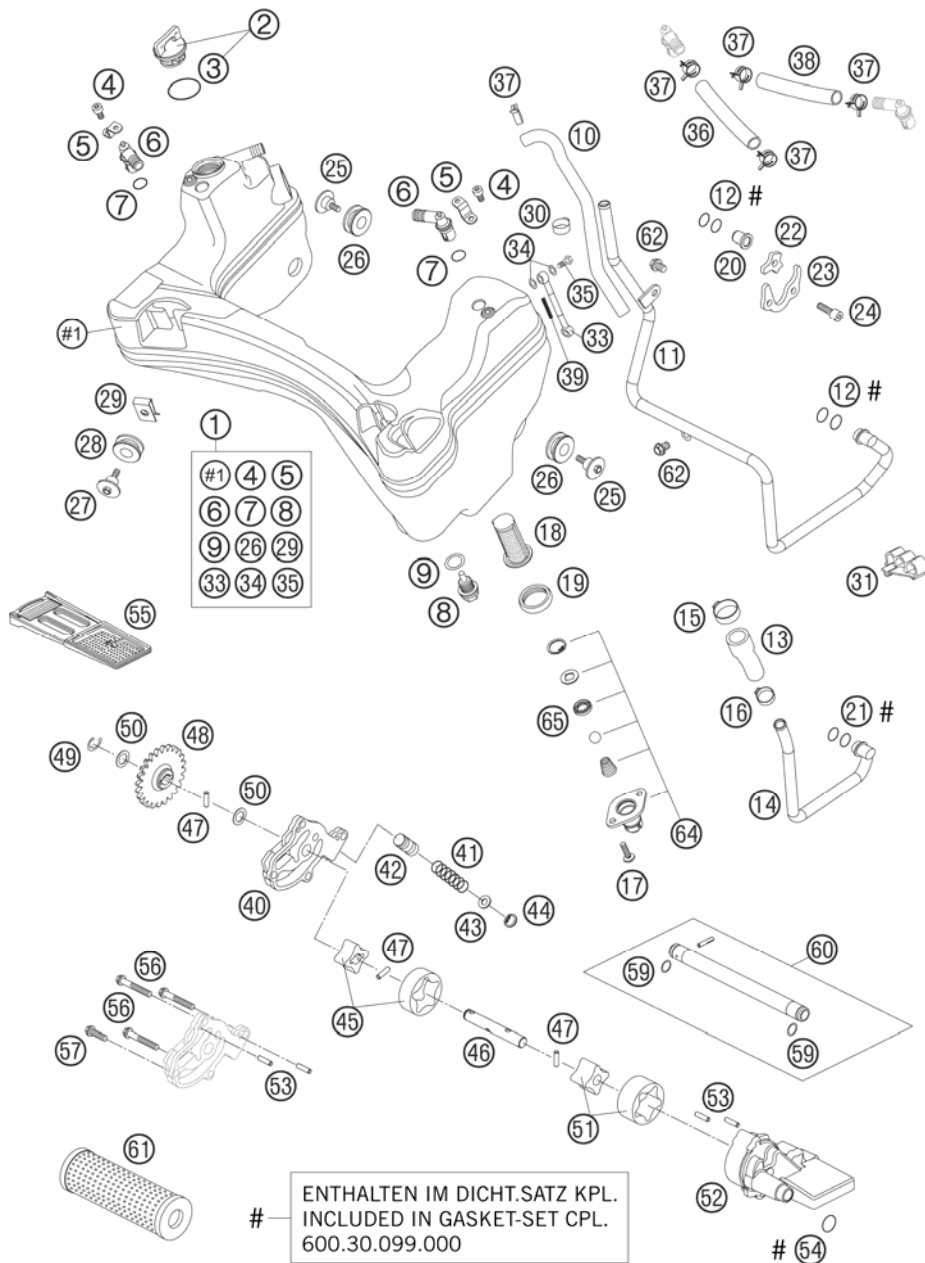


FIG	PART NUMBER	DESCRIPTION	QTY
38	60038059083	OIL TANK BREATHING HOSE L/S	1
39	61038085000	STICKER "OIL LEVEL" 05	1
40	60038010000	PRESSURE PUMP CASE 03	1
41	60038026000	CONTROL SPRING LC8 3,5 BAR	1
42	60038028000	CONTROL PISTON LC8 03	1
43	0988060121	WASHER 6X12X1 HRC 40-45	1
44	0472012010	CIRCLIP DIN0472 J12	1
45	60038011000	ROTOR-SET PRESSURE PUMP 03	1
46	60038002000	OIL PUMP SHAFT 03	1
47	0402041580	NEEDLE ROLLER NRB 4X15,8 G2	3
48	60038001024	OIL PUMP GEAR 24-T 03	1
49	0799080000	TAB WASHER DIN6799 RS8	1
50	60038007010	WASHER 10X16X0,5 03	2
51	60038009000	ROTOR-SET SUCTION PUMP 03	1
52	60038008000	SUCTION PUMP CASE 03	1
53	0402040980	NEEDLE ROL.DIN5402 NRB 4X9,8	4
54	0770133024	O-RING 13,3X2,4 VITON	1
55	60038016000	OIL SCREEN 03	1
56	0015060403	HH COLLAR SCREW M 6X40 WS=8	3
57	0015060203	HH COLLAR SCREW M 6X20 WS=8	1
59	0770010010	O-RING 10,00X1,00 NBR 70 SH	2
60	60030065100	OIL INJECTION TUBE GEAR 05	1
61	60038015000	OIL FILTER 03	1
62	0015060103	HH COLLAR SCREW M 6X10 WS=8	2
64	60038060102	OIL TANK VALVE CPL.	1
65	0760101842	SHAFT SEAL R.10X18X4 B-VITON	1

05610380 / C076113800

* NEW PART

X AS REQUIRED

IGNITION SYSTEM

990 SUPERDUKE USA 2007

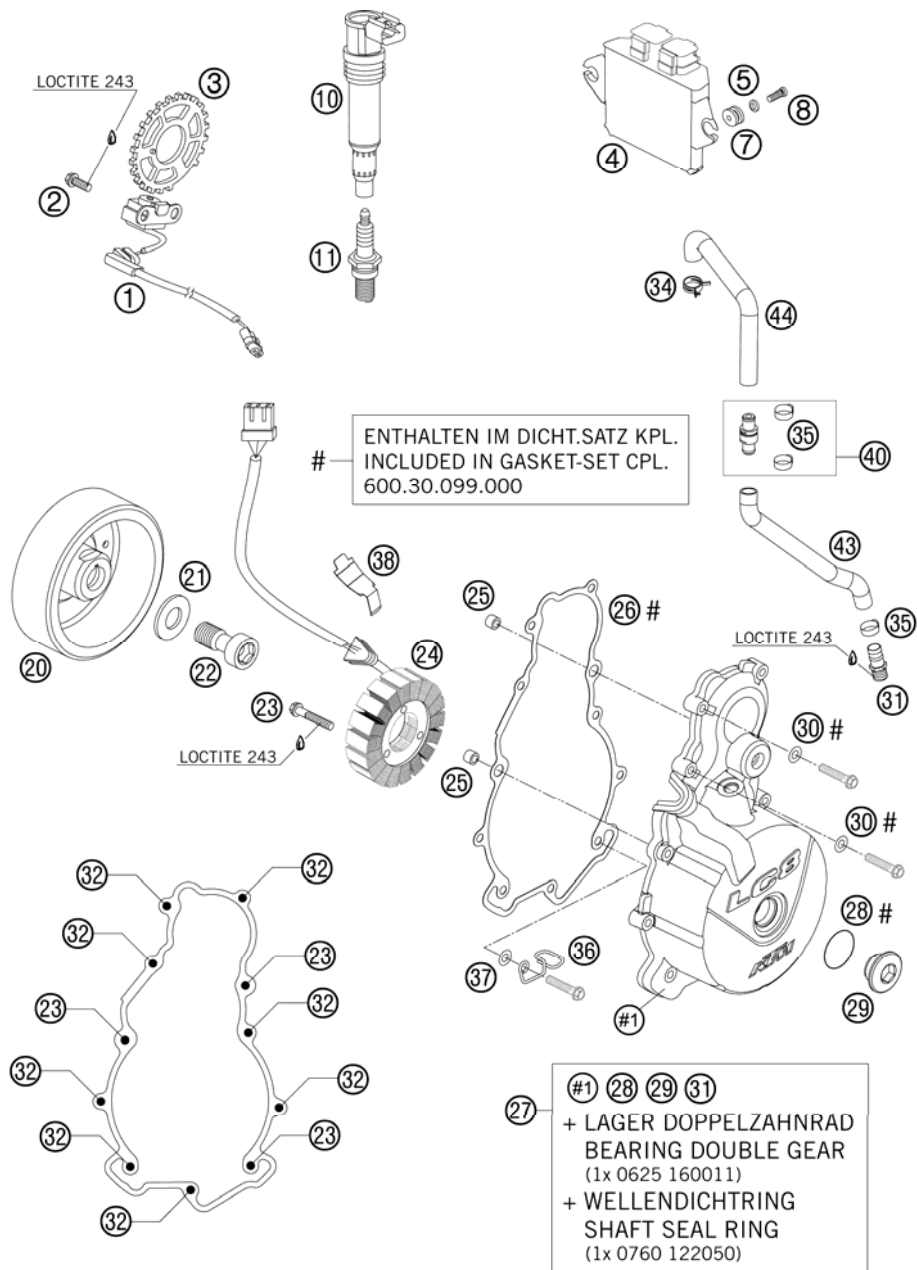


FIG	PART NUMBER	DESCRIPTION	QTY
1	60039034100	PULSE GENERATOR LC8 04	1
2	0015060163	HH COLLAR SCREW M 6X16 WS=8	2
3	61039020000	COIL SPROCKET 22Z O. CYL. PIN	1
4*	61041031100	TIMING CHARGER EFI 990 SD 06	1
5	60008045000	SPECIAL WASHER D=16,5MM 03	2
7	60039030000	VIBRATION DAMPER DIGITALBOX 03	2
8	0012060123	AH SCREW DIN6912 M6X12	2
10	60039006000	STICK COIL 03	2
11*	61139093000	SPARK PLUG KR8DI	2
20	60039005100	IGNITION ROTOR 04 INCL. FREEWHEEL	1
21	60039040010	WASHER 17X32X4 03	1
22	60039003100	AH EXPAND. SCREW M16X1,5 05	1
23	0015060353	HH COLLAR SCREW M 6X35 WS=8	6
24	60039004000	STATOR 03	1
25	49030090000	DOWEL 9,8 X 7 X 10	2
26	60030040100	IGNIT.COVER GASK.MATRI.CS0,5MM	1
27*	60030002144	IGNITION COVER CPL. 06	1
28	0770024025	O-RING 24X2,5 NBR	1
29	6003009400023	SCREW PLUG M24X1,5 PA 6.6	1
30	0603061001	CU-SEAL RING DIN7603-6X10X1	2
31	60030022000	VENTILATION CONNECTOR M16X1,5	1
32	0015060303	HH COLLAR SCREW M 6X30 WS=8	8
34	00049220121	CLAMP STD DN22	1
35	00050226706	VARIABLE ONE-EAR CLAMP 22,6MM	3
36	60011094000	CABLE SUPPORT 03	1
37	0125060003	WASHER DIN0125-A 6,4	1
38	60039040020	CABLE SUPPORT GENERATOR 03	1
40	60030090300	% BACK-PRESSURE VALVE CPL.	1
43	60030087101	ENGINE BREATHER HOSE BOTTOM	1
44	60030087102	ENGINE BREATHER HOSE TOP	1

076013900 / C076113900

* NEW PART

X AS REQUIRED

ELECTRIC STARTER

990 SUPERDUKE USA 2007

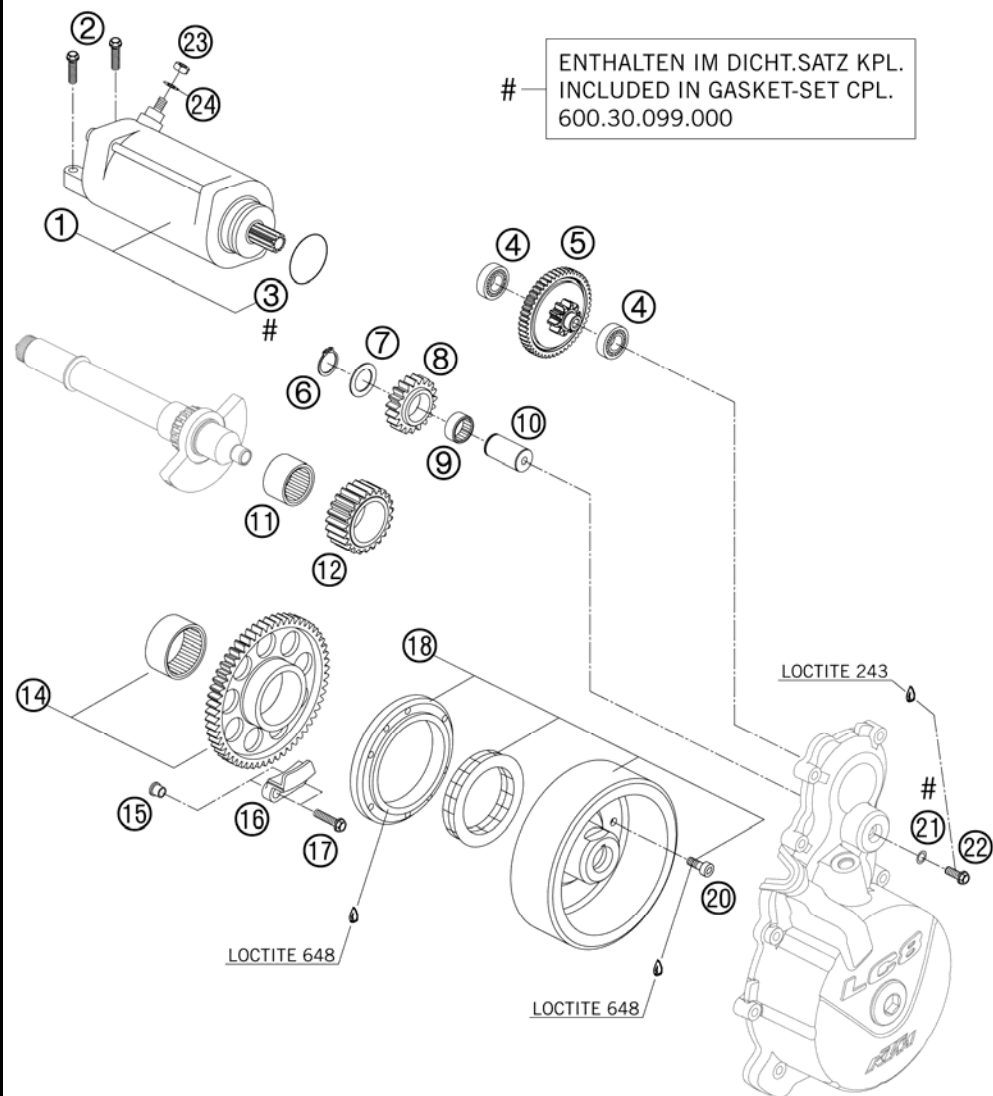


FIG	PART NUMBER	DESCRIPTION	QTY
1	60040001000	E-STARTER ENGINE CPL. LC8-E 03	1
2	0015060253	HH COLLAR SCREW M 6X25 WS=8	2
3	0770335030	O-RING 33,5X3 VITON	1
4	0625160011	GROOV.BALL BEAR. 16001 JRX C3	2
5*	60040017000	TORQUE LIMITER	1
6	0471170010	CIRCLIP DIN0471-17X1	1
7	50333041000	STOP DISC 17,2X26X1 B	1
8*	60040022219	IDLER GEAR 1 19Z	1
9	0405172110	NEEDLE BEARING K 17X21X10	1
10*	60040023100	BEARING BOLT	1
11	0618253220	NEEDLE BUSH HK2520 25/32/20 02	1
12	60040022023	IDLER GEAR 2 23-T 03	1
14	60040020000	FREEWHEEL GEAR WH. 57-T CPL.03	1
15	60040027050	SUPPORTING SLEEVE 03	2
16	60040027000	FREEWHEEL HOLDER 03	1
17	0015060253	HH COLLAR SCREW M 6X25 WS=8	2
18	60039005100	IGNITION ROTOR 04 INCL. FREEWHEEL	1
20	0984060166	AH SCREW DIN6912 M6X16 10.9	6
21	0603061001	CU-SEAL RING DIN7603-6X10X1	1
22	0015060163	HH COLLAR SCREW M 6X16 WS=8	1
23	0985060003	SELF LOCK. NUT DIN0985-M 6	1
24	0125060003	WASHER DIN0125-A 6,4	1

076304000 / C076304000

* NEW PART

X AS REQUIRED

THROTTLE BODY

990 SUPERDUKE USA 2007

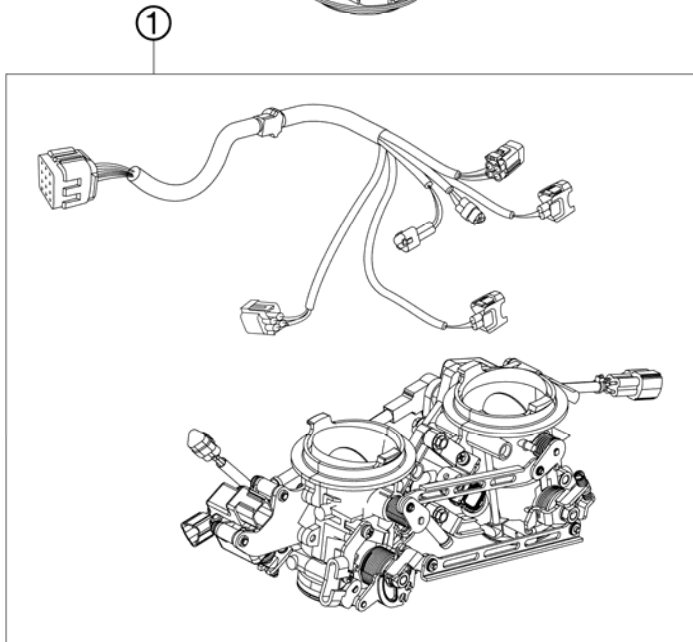
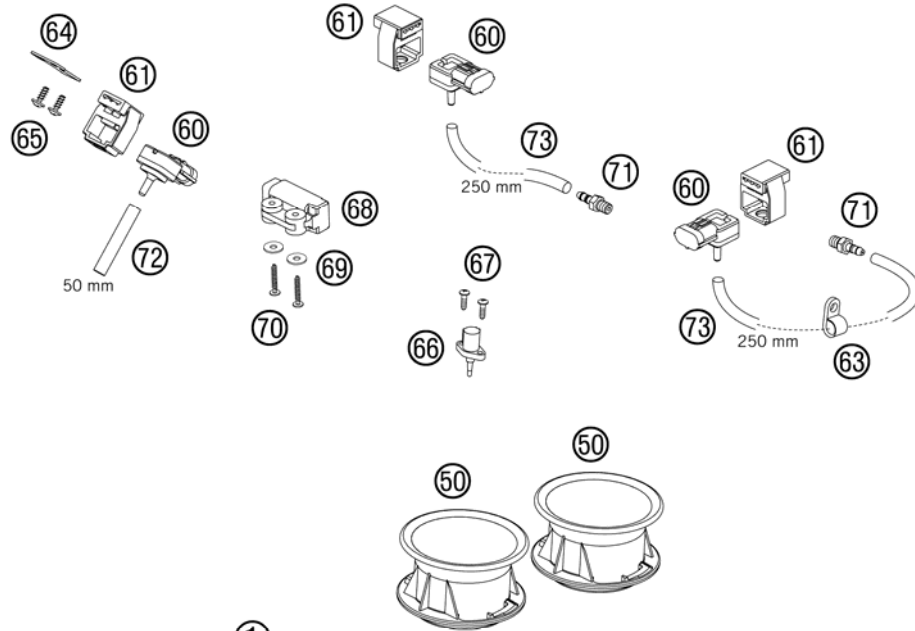


FIG	PART NUMBER	DESCRIPTION	QTY
1	61041001000	THROTTLE BODY CPL. 05	1
50	61041040000	INTAKE TRUMPET 05	2
60*	61041085100	PRESSURE SENSOR 06	3
61*	61041085150	RUBBER SUPP. PRESSURE SENS. 06	3
63	57013070100	PVC-CLAMP 7,9 MM HEYCO 3355	1
64	61041085060	SUPPORT PRESSURE SENSOR 05	1
65	0016050121	SCREW FOR PLASTIC 50X12	2
66	61041080000	AMBIENT-AIR TEMPERATURE SENSOR	1
67	0081500181	SCREW FOR PLASTIC D=5X18	2
68	61041088000	ROLLOVER SENSOR 05	1
69	61041088050	SHIM 4,3X15X1,25MM GALVANIZED	2
70*	0081400253	PLASTIC SCREW KA40X25WN1412	2
71	61036023100	VACUUM CONECTION 2006	2
72	61041095050	HOSE 3,2X8,5 L=50 MM 05	1
73	60141095125	HOSE 3,2x8,5 L=125 MM 06	2

076114100 / C076114100

* NEW PART

X AS REQUIRED